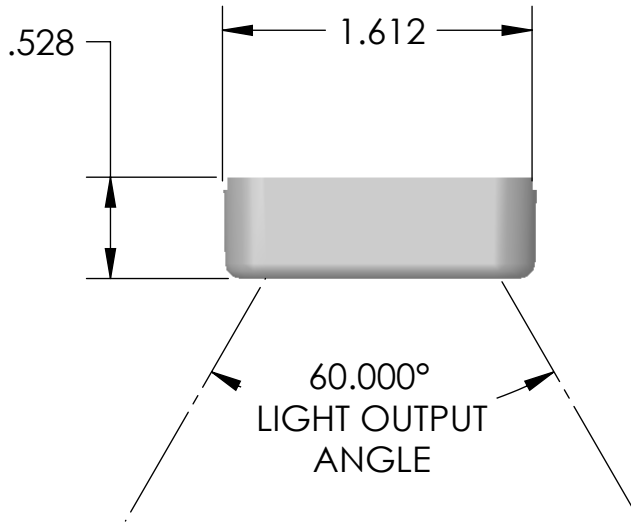


HORIZONTAL MOUNT LINEAR BODY PART

- 11 TO 14 VOLTS DC
- 4 LED'S GENERATING UP TO 20 LUMENS DEPENDING ON LED COLOR
- MOUNTS WITH 2 #2, #3 OR #4 FLAT HEAD SCREWS
- LIGHT OUTPUT +/- 30 DEGREES by +/- 20 DEGREES
- DRAWS LESS THAN .08 A - FUSE LAMP APPROPRIATELY
- 2 - #22 GAUGE WIRE LEADS 9" OR 36" LONG
- STAINLESS STEEL CASE WITH UV RESISTANT POLYCARBONATE LENS
- 50,000 HOUR LED LIFE
- 3 YEAR LIMITED WARRANTY
- LED GENERATES COLOR SO LENS IS CLEAR

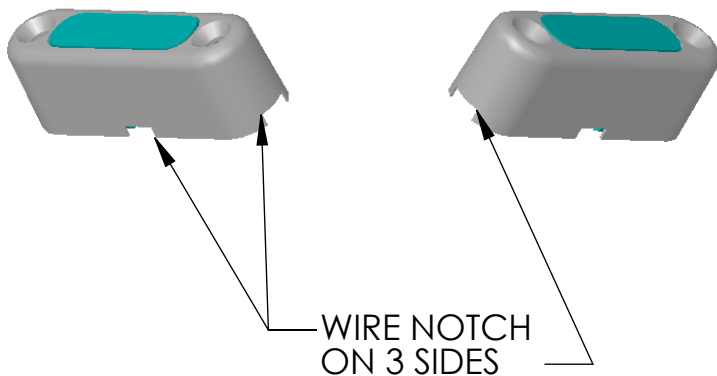
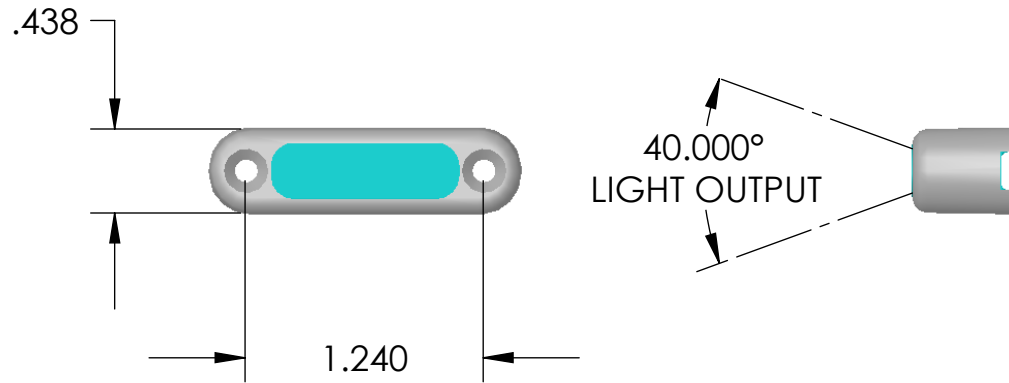
WIRE OPENING ON 3 SIDES OR CAN BE STRAIGHT OUT FROM UNDERNEATH

UNLESS OTHERWISE SPECIFIED DIMENSIONS ARE IN INCHES		CAD GENERATED DRAWING, DO NOT MANUALLY UPDATE		HORIZONTAL MOUNT LINEAR LIGHT	
TOLERANCES ARE:					
DECIMALS	ANGLES				
.XXX + .010"	.XX ± .1deg				
MATERIAL	--				
FINISH	--				
DO NOT SCALE DRAWING				SIZE A	DWG. NO.



VERTICAL MOUNT LINEAR BODY PART

- 11 TO 14 VOLTS DC
- 4 LED'S GENERATING UP TO LUMENS DEPENDING ON LED COLOR
- MOUNTS WITH 2 #2, #3 OR #4 FLAT HEAD SCREWS
- LIGHT OUTPUT +/- 30 DEGREES by +/- 20 DEGREES
- DRAWS LESS THAN .08 A - FUSE LAMP APPROPRIATELY
- 2 - #22 GAUGE WIRE LEADS 9" OR 36" LONG
- STAINLESS STEEL CASE WITH UV RESISTANT POLYCARBONATE LENS
- 50,000 HOUR LED LIFE
- 3 YEAR LIMITED WARRANTY
- LED GENERATES COLOR SO LENS IS CLEAR



UNLESS OTHERWISE SPECIFIED DIMENSIONS ARE IN INCHES		CAD GENERATED DRAWING, DO NOT MANUALLY UPDATE		VERTICAL MOUNT LINEAR LIGHT	
TOLERANCES ARE:					
DECIMALS	ANGLES				
.XXX + .010"	.XX ± .1deg				
MATERIAL	--				
FINISH	--				
DO NOT SCALE DRAWING				SIZE A	DWG. NO.