



E03

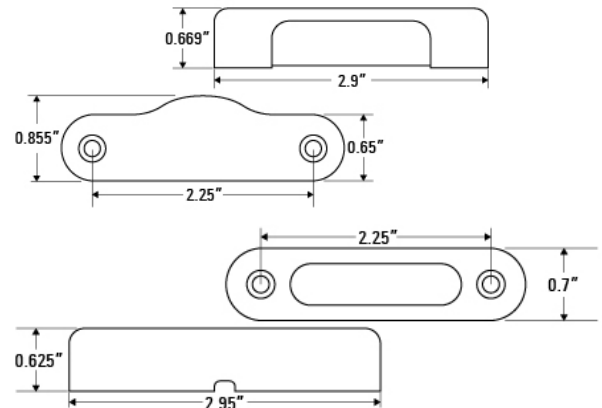
**LINEAR
EON LIGHTS**

Technical features

- ✦ Easy installation - two #6 screws
- ✦ TecSeal Urethane Potting guarantees circuit board protection
- ✦ Produces 150 lumens (white)
- ✦ Reliable performance for over 50,000 hours
- ✦ Meets IP68 Rating for Dust and Waterproof

Specifications

Dimensions:	2.9' x 0.7"(VC), 2.9" x 0.9"(HC)
LEDs:	3
Voltage:	9 - 14V DC
Connector:	9" or 36" Pigtail
Mounting:	Mounts using (2) #6 screws
LED colors:	White, Amber, Blue, Deep Red, Green, Orange, and RGB
Lumens:	150



California Proposition 65

WARNING: This product can expose you to chemicals including lead, which is known to the State of California to cause cancer, birth defects or other reproductive harm

Part Numbers	Description	Std	Connector
E03-A001-1	Eon Light Linear Body Amber - 36" Wire	50	36" Pigtail
E03-B001-1	Eon Light Linear Body Blue - 36" Wire	50	36" Pigtail
E03-D003-1	Eon Light Linear Body Deep Red Dual Intensity - 9" Wire	50	9" Pigtail
E03-G001-1	Eon Light Linear Body Green - 36" Wire	50	36" Pigtail
E03-L000-1	Eon Light Linear Body Neutral White - 9" Wire	50	9" Pigtail
E03-N001-1	Eon Light Linear Body Orange - 36" Wire	50	36" Pigtail

