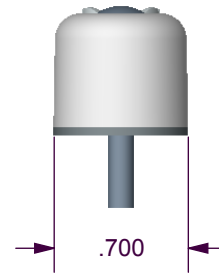
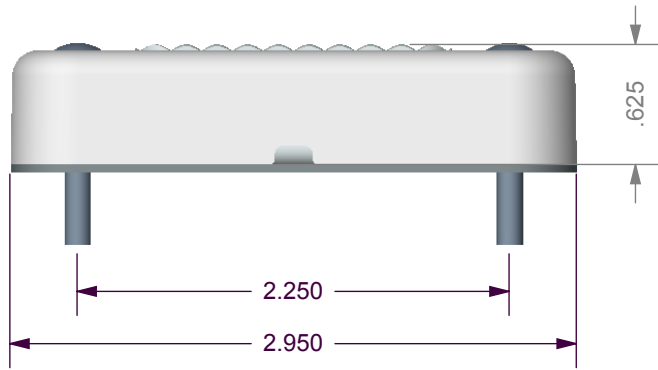
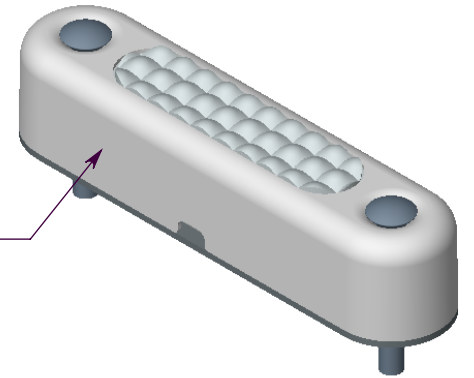


S.S. Case with  
option for  
Powder Coat



NOTES:

1.  $V_{in}$  - 13.6VDC (Typical)
2. Current
  - White - 120mA
  - Blue & Green - 130mA
  - Amber & Red - 150mA
3. Require a qty of 2 #6 x 1" Oval Head Phillips



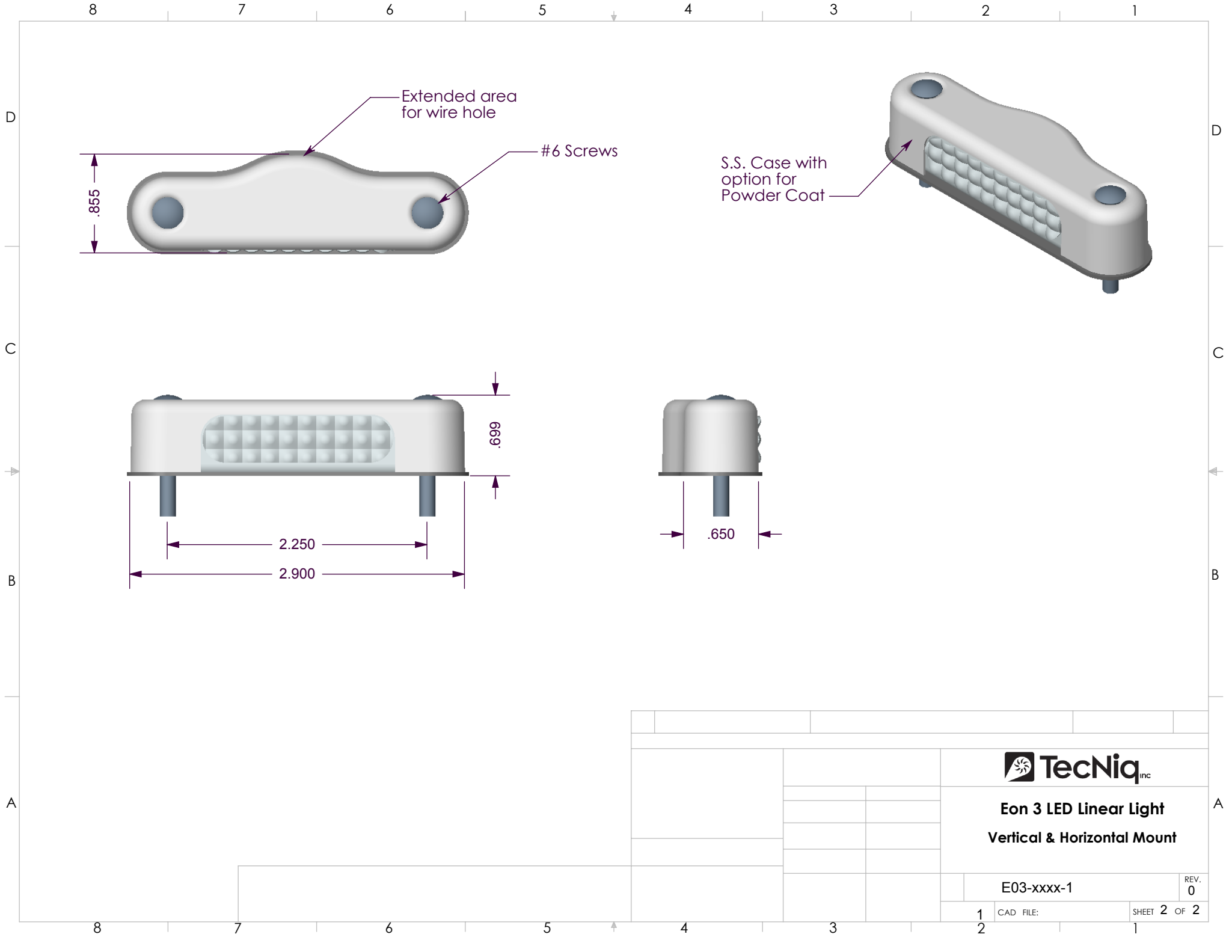
**Eon 3 LED Linear Light**  
**Vertical & Horizontal Mount**

E03-xxxx-1

REV.  
0

1 CAD FILE:  
2

SHEET 1 OF 2



**Eon 3 LED Linear Light**  
**Vertical & Horizontal Mount**

E03-xxxx-1

REV.  
0