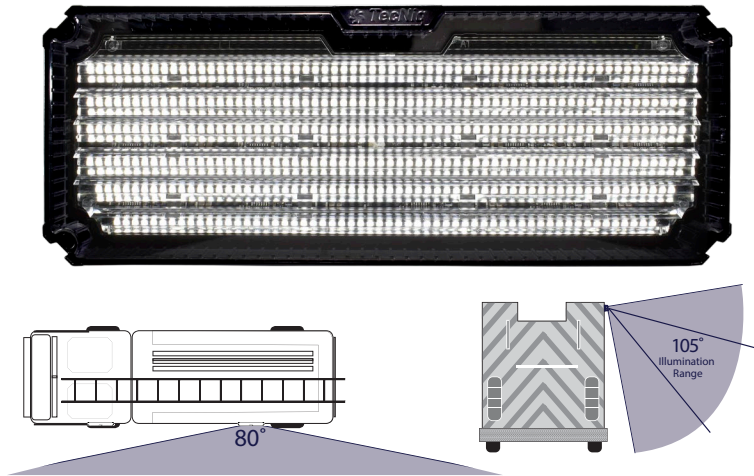


TecNiq's **ALL NEW E100 - HIGH-POWERED SCENE LIGHT** is a surface mount scene light. TecNiq is proud to present it's newest addition to the emergency lighting category. Designed to be **BRIGHTER, LONGER LASTING, and MORE EFFICIENT** - the E100 is the perfect scene light.



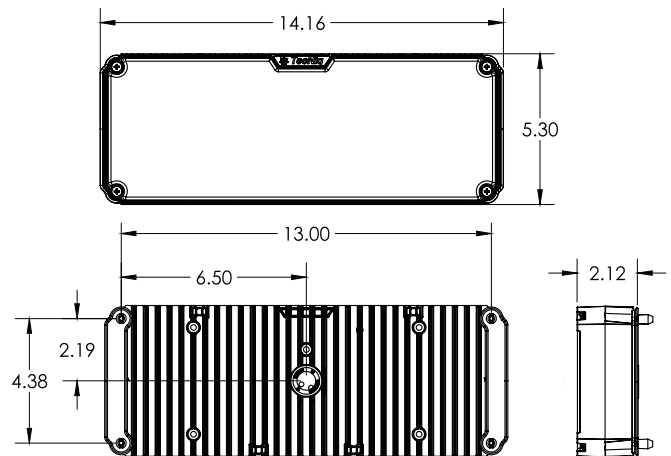
Technical features

- Fully sealed construction for a submersible light
- Over 30,000 source lumens with flood distribution for optimal scene visibility
- Low electrical noise, keeps radio interference minimal
- 376 LEDs provide extreme efficiency and optimal light projection, with reduced eye glare
- Immediate operation, unlike metal halide lamps
- Works with less power than traditional metal halide lamps, leaving more for other equipment
- Spend less time adjusting the E100, as optics are engineered to provide better off-axis illumination, both to the side, and at a downward angle

E100 HIGH-POWERED SCENE LIGHT

Specifications

Dimensions:	14.16" x 5.30" x 2.12"
LEDs:	376
Voltage:	9 - 30V DC
Current:	12V DC= 16.5A 24V DC= 9A
Connector:	Deutsch (others available)
Mounting:	Mounts vary by application
LED colors:	White
Lumens:	Over 30,000 source lumens



California Proposition 65

WARNING: This product can expose you to chemicals including lead, which is known to the State of California to cause cancer, birth defects or other reproductive harm

See www.TecNiqInc.com for more details and a complete list of part numbers.

Part Numbers	Description	Std	Connector
E100-WB00-1	High-Powered Scene Light, 12/24V DC, Surface Mount, Black Housing	-	Deutsch
E100-WB0F-1	High-Powered Scene Light, 12/24V DC, Surface Mount, Black Housing w/xT0p4-2P		Pigtails

*Chrome Bezel and handles available as add ons

