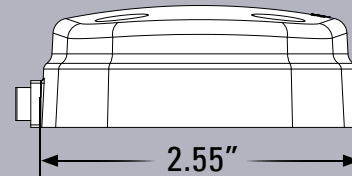
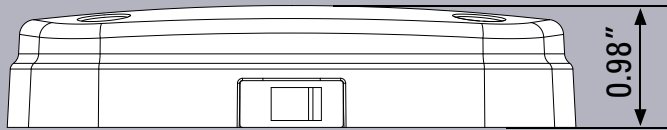
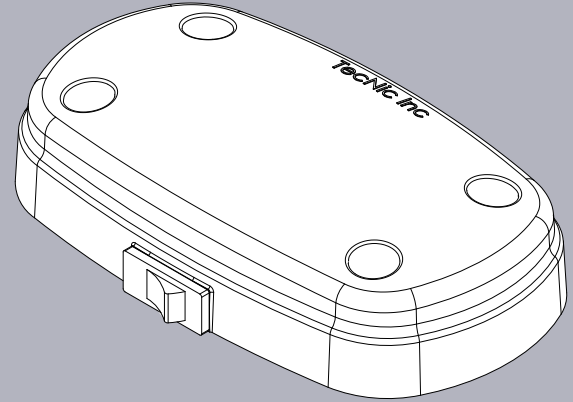
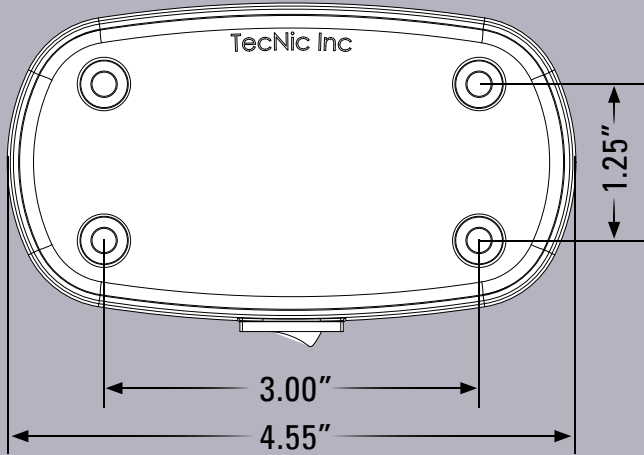




TecNiq's New LED Utility Light

Introducing the new LED cargo & area light from TecNiq Inc. The new light packs 800 lumens of brightness into a small 2 ½" x 4 ½" foot print. This great looking light is designed to provide years of bright illumination at a competitive price. Just what you have come to expect from TecNiq Inc.

- Surface mounted for ease of installation – requires one 3/8" wire hole
- Offered with and without an integrated On/Off Switch
- Available in Cool White or Neutral.
- Non-switch model is guaranteed to be waterproof
- **TecSeal** potting protects against moisture and corrosion
- Made with high grade polycarbonate, for high optic quality and impact resistance
- 50,000 hour service rating
- Low amp draw – 0.6 Amps
- Comes with TecNiq's Industry Leading Lifetime Warranty



Model	Color	Part Number	Switch	Fixture Lumens	Max Amp Draw	Dimensions
Utility Light	Cool White	E18-WC00-1	—	800 lumen	0.6 A	4.55" x 2.55"
		E18-WCS0-1	Yes			4.55" x 2.80"
	Neutral White	E18-LC00-1	—			4.55" x 2.55"
		E18-LCS0-1	Yes			4.55" x 2.80"

The very best in looks and performance. Our new utility light will provide plenty of crisp, clear illumination while complementing your products overall looks.

For more information on the newest addition to TecNiq's industry leading lighting solutions, please contact your local sales representative.