



## K30 FLASHER LAMP INSTALLATION MANUAL

### Safety

- This document provides the necessary information to allow your TecNiq warning lamp to be safely installed. Before installing this product, the installer must fully read and understand this manual. Important information is contained within which could prevent serious injury or death.
  - Installer must have a working understanding of vehicle service procedures, automotive electronics, and electronic systems.
  - Installer is responsible to insure that no vehicle components or vital parts are inadvertently damaged during the drilling process.
  - Avoid installation of any wires or equipment in the deployment area of the air bag or safety restraint systems. Installer assumes full responsibility for determining proper mounting locations which are in compliance with manufacturer recommendations.
  - Use only soap and water to clean outer lens. Certain chemical solvents can damage lens surface resulting in a loss of performance and appearance. Damaged lenses should be replaced immediately.
- This is a high performance electrical device. All wires and conductors must be sized to carry a minimum of 125% of the maximum operating current of the light system and fused at the battery to carry that load. It is the sole responsibility of the installer to choose appropriate wiring design for the vehicle.

**IMPORTANT:** THIS FLASHER IS DESIGNED FOR 9 – 15 VOLTS AND DRAWS AN INSTANTANEOUS POWER OF 3 AMPS WITH AN AVERAGE POWER OF 1 AMP. ALL SIGNAL AND POWER WIRES MUST BE WITHIN THIS VOLTAGE RANGE FOR PROPER LONG TERM OPERATION.

**FAILURE TO FOLLOW THESE INSTRUCTIONS COULD RESULT IN DAMAGE TO THE VEHICLE, SERIOUS INJURY OR DEATH.**

### Installation

- 1) Using a straight edge, measure the appropriate distance for the wire hole (**see below**).
- 2) Take extreme care to ensure that the lamp will not interfere with the function of any other device on the vehicle and be aware of any objects on the opposite side of the mounting surface.
- 3) Check all measurements carefully before cutting mounting holes.
- 4) Following the template dimensions, drill or punch a (9/16") wire hole, for the wire and drill 2-0.165" diameter screw anchor holes.

Connect lamp wires to the vehicle according to the wire connection Fig 1.

Use appropriate sized wire and fuse the +12V lead. Test lamp function after connection. Use 2 #6/32 Phillips head SS screws, Nuts and lock washers **Not included**, tighten the lens, lamp body and body gasket to the vehicle surface. Visually check to insure that good contact is made between rubber gasket and vehicle body. Tighten the screws to a maximum torque of 12in-lb (1ft-lb).

### Specifications

<b>Dimensions:</b>	(3) LED/ 3.57" x 1.26" x 0.4" (6) LED/ 5.67" x 1.26" x 0.4" (12) LED/5.67" x 1.79" x 0.4
<b>LEDs:</b>	3, 6, and 12
<b>Voltage:</b>	9 - 14V DC
<b>Current:</b>	(3) 0.225A - 0.275A (6) 0.450A - 0.550A (12) 0.680A - 0.880A
<b>Connector:</b>	Pigtail
<b>Mounting:</b>	Surface mount
<b>LED colors:</b>	White, Amber, Blue, Red, Green, Amber/Green, Amber/White, Blue/ White, Green/White, and Red/White

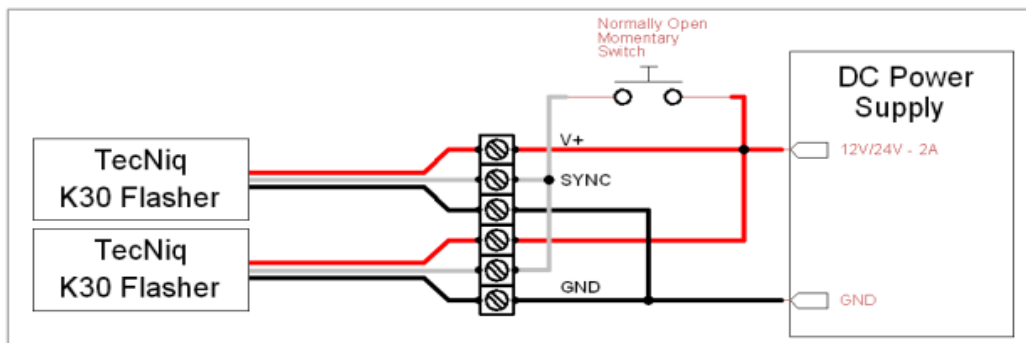
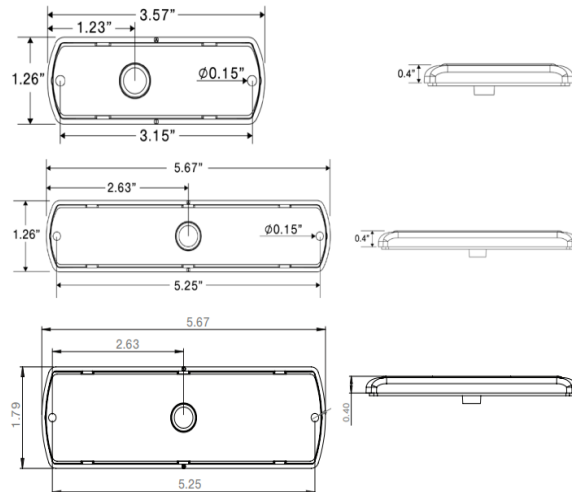


Figure 1 – K30 Connection Diagram