



Optional Steel Brush Guard

TecNiq's K10 Beacon Light

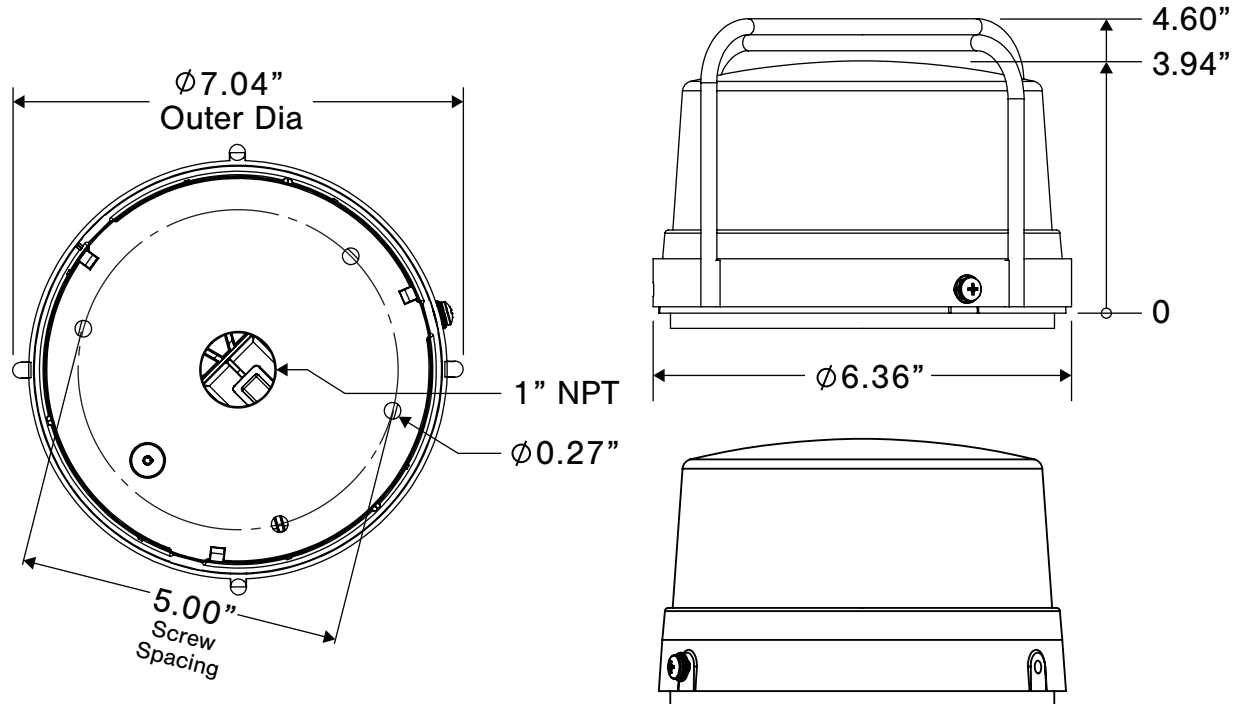
TecNiq's LED omni-directional K10 beacon light is ideal for construction, maintenance, and service vehicles. This high performance warning light is designed for use in the most extreme environments and comes with our lifetime warranty.

The beacon light is available with single or AutoSync flash. TecNiq's patent-pending technology enables multiple lights to hold a synchronized flash pattern without the added cost of a light control or interconnection between lamps.

Both beacon light models are SAE J845 Class 1A and Class 2A compliant with a fully sealed polycarbonate lens and 24 attention-grabbing LEDs providing 360° of coverage. The K10 beacon is waterproof and shock resistant.

Installation of the 12/24 VDC beacon light is straightforward with the included 8.5" wire lead. It's available in surface or 1" pole mount configurations and can be fitted upside down. It measures 6.35" wide at the base and 4" high.

K10



Part Number	Description	Typical Amp Draw	Connector
K10-AAOP-1	K10 Amber Beacon Light Amber Lens Single Flash Pattern w/ Pigtail	Hi - 1.7A peak (0.7 avg)	3 Wire Pigtail
K10-AADP-1	K10 Amber Beacon Light Amber Lens Autosync Multi Flash Pattern w/ Pigtail	Lo - 0.3A peak (0.17 avg)	5 Wire Pigtail

Features

- IP68 Rated – Dust and Waterproof
- Approval: SAE J845 Class 1
- Power: 12/24 VDC
- Surface or 1" pole mount option
- Standard single flash and AutoSync models
- Black powder coated die cast aluminum base
- Includes mounting gasket to protect vehicle surface
- Optional chrome plated steel brush guard
- Lifetime Warranty