

TecNiq's **K10 Beacon** is the perfect LED for work trucks, boom lifts, heavy duty trucks and trailers, waste and dump trucks, or any other situation **high visibility and safety** are concerns. The **K10's** feature 24 high powered LEDs, and provide ample visible caution lighting to oncoming traffic.

**K10**

**FLASHING  
BEACON**

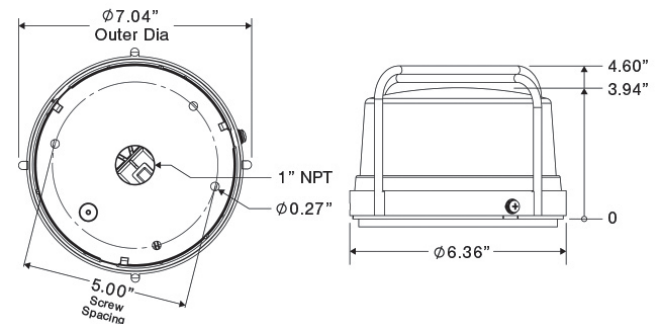


### Technical features

- ✦ SAE J845 Class 1, Approved
- ✦ Surface or 1" pole mount option
- ✦ Standard single flash and AutoSync models
- ✦ Black powder coated die cast aluminum base
- ✦ Includes mounting gasket to protect vehicle surface
- ✦ IP68 Rated – Dust and Waterproof

### Specifications

<b>Dimensions:</b>	7.04" x 4.6" (see diagram)
<b>LEDs:</b>	24
<b>Current:</b>	Hi - ≈0.7A (average) – 1.7A (peak) Lo - ≈0.17A (average) – 0.3A (peak)
<b>Wire:</b>	8.5" Pigtail
<b>Mounting:</b>	Surface or Pole Mount (1" NPT width)
<b>LED colors:</b>	Red, Amber, Green, Blue, Amber/Green
<b>Voltage:</b>	12/24V DC



#### California Proposition 65

WARNING: This product can expose you to chemicals including lead, which is known to the State of California to cause cancer, birth defects or other reproductive harm

Part Numbers	Description	Std. Pack	Connector
K10-0CB0-1	Beacon Light Brush Guard	1	Pigtail 8.5"
K10-AA0P-1	K10 <b>Amber</b> Beacon Light Amber Lens Single Flash Pattern W/Pigtail	1	Pigtail 8.5"
K10-AADP-1	K10 <b>Amber</b> Beacon Light Amber Lens Autosync Multi-Flash Pattern W/Pigtail	1	Pigtail 8.5"
K10-RR0P-1	K10 <b>Red</b> Beacon Light Red Lens Single Flash Pattern W/Pigtail	1	Pigtail 8.5"
K10-RRDP-1	K10 <b>Red</b> Beacon Light Red Lens Autosync Multi-Flash Pattern W/Pigtail	1	Pigtail 8.5"

