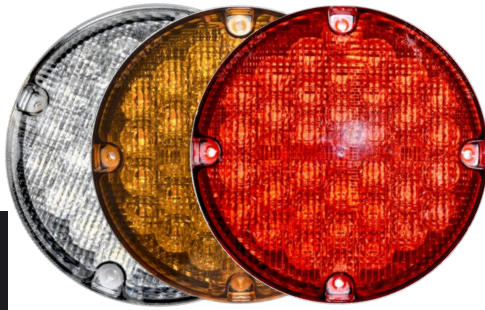


The **ALL NEW TecNiq K20** Introducing TecNiq's very first 7" Round Light Series. Our new high-visibility stop/tail/turn, reverse, and warning lights were built to perform in environmental extremes. Designed with the very latest in LED technology, resulting in some of the brightest STT lights available. **BE SEEN IN ALL CONDITIONS, AND AT GREATER DISTANCES.**



**K20**

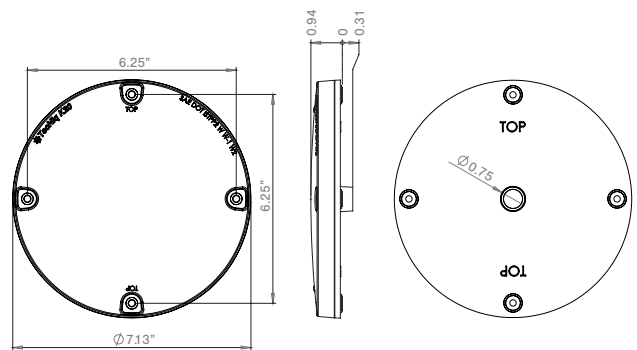
**7" ROUND HI-VIS  
RED/AMBER/REVERSE**

### Technical features

- ✦ Fits all standard 7" round applications
- ✦ Available in surface mount
- ✦ Lifetime Warranty
- ✦ IP68 rating while exceeding FMVSS 108 standards
- ✦ The only, completely sealed 7" Round Bus Light on the market. No more fishbowl!

### Specifications

<b>Dimensions:</b>	7" x 7"
<b>LEDs:</b>	37
<b>Voltage:</b>	9 - 14V DC
<b>Current:</b>	0.014A (tail) - 0.9A (flasher)
<b>Connector:</b>	8.3" Pigtail, Unsheathed
<b>Mounting:</b>	Surface mount for standard 7"
<b>Lens Colors:</b>	Red, Amber and Clear



### California Proposition 65

WARNING: This product can expose you to chemicals including lead, which is known to the State of California to cause cancer, birth defects or other reproductive harm

Part Numbers	Description	Connector
K20-AAS0-1	7" Round Amber – Flasher <i>*(no Autosync available)</i>	8.3" Pigtail
K20-AAT0-1	7" Round Amber – Turn	8.3" Pigtail
K20-RRS0-1	7" Round Red – Flasher <i>*(no Autosync available)</i>	8.3" Pigtail
K20-STR0-1	7" Round Red – Stop/Tail	8.3" Pigtail
K20-WBU0-1	7" Round Clear – Reverse	8.3" Pigtail

