

**Introducing the M30 Pontoon Docking Light.** The ALL NEW M30 lights are built on the same foundation as all TecNiq Lights – superior engineering, sleek design, and an unwavering commitment to the highest quality product on the market. Each light includes an all new passive heat resistant body, as well as high powered LEDs that provide up to 100,000 hours of performance. The M30's come in either (3) or (6) LEDs, and an available stainless steel cover option.

See [www.TecNiqInc.com](http://www.TecNiqInc.com) for more details and a complete list of part numbers.



**M30**

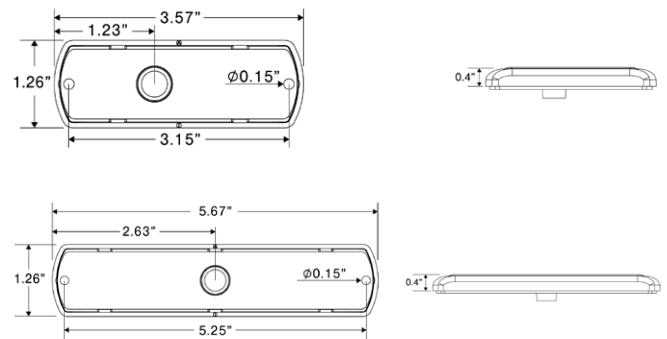
**PONTOON  
DOCKING LIGHT**

**Technical features**

- ✦ Surface mount, sleek design with an IP68 Rating
- ✦ TecSeal urethane potting for guaranteed circuit board protection
- ✦ Reliable up to 100,000 hour life performance
- ✦ Stainless Steel design prevents corrosion

**Specifications**

<b>Dimensions:</b>	(3) LED/ 3.57" x 1.26" x 0.4" (6) LED/ 5.67" x 1.26" x 0.4"
<b>LEDs:</b>	3/6
<b>Voltage:</b>	9 - 14V DC
<b>Current:</b>	(3) 0.225A - 0.275A (6) 0.450A - 0.550A
<b>Connector:</b>	Pigtail
<b>Mounting:</b>	Surface mount
<b>Lumens</b>	(3) LED/ 450 (6) LED/ 900



**California Proposition 65**

WARNING: This product can expose you to chemicals including lead, which is known to the State of California to cause cancer, birth defects or other reproductive harm

Part Numbers	Description	LED	Connector
M30-WB030-1	M30 Steady Burn, White (3) LED model with <b>Black</b> Cover	3	Pigtail
M30-WB060-1	M30 Steady Burn, White (6) LED Model with <b>Black</b> Cover	6	Pigtail
M30-WS030-1	M30 Steady Burn, White (3) LED model with <b>SS</b> Cover	3	Pigtail
M30-WS060-1	M30 Steady Burn, White (6) LED Model with <b>SS</b> Cover	6	Pigtail

