

The **TecNiq Steelhead Line** was engineered with the most extreme conditions in mind; 100% waterproof, vibration resistant, IP68 rated, and backed by the TecNiq guarantee. With flood or spot light lens options, and ability to choose from varying lumens, resulting in a heavy duty work lamp that surpasses the competition in performance and quality.



**P02**

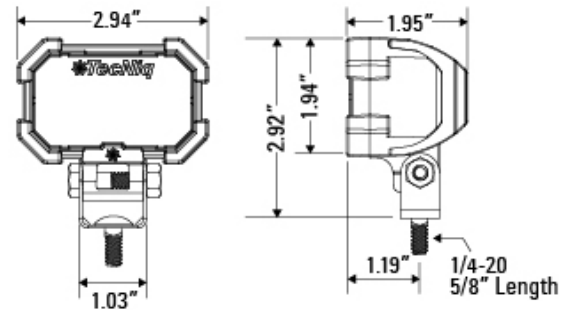
**STEELHEAD HEAVY  
DUTY WORK LIGHTS**

### Technical features

- ✦ Models include Flood or Spot light projection
- ✦ IP68 Rated – water & dust proof
- ✦ Proprietary thermal management provides powerful performance in a small package
- ✦ Designed for the most demanding task illumination applications, in the most extreme environments

### Specifications

<b>Dimensions:</b>	3" x 3" x 2" (2 LED)
<b>LEDs:</b>	2
<b>Voltage:</b>	9 - 30VDC
<b>Connector:</b>	9" Pigtail
<b>Mounting:</b>	Mounts with 5/8" mounting bolt and hardware (included)
<b>Lumens:</b>	750 Lumens (2 LED)



### California Proposition 65

WARNING: This product can expose you to chemicals including lead, which is known to the State of California to cause cancer, birth defects or other reproductive harm

Part Numbers	Description	Std	Connector
<a href="#">P02-WBFP-1</a>	SteelHead Flood Lamp 2 LED Black Finish Pigtail wires	4	Sheathed Pigtail
<a href="#">P02-WBSP-1</a>	SteelHead Spot Lamp 2 LED Black Finish Pigtail wires	4	Sheathed Pigtail
<a href="#">P02-WWFP-1</a>	SteelHead Flood Lamp 2 LED White Finish Pigtail wires	4	Sheathed Pigtail
<a href="#">P02-WWSP-1</a>	SteelHead Spot Lamp 2 LED White Finish Pigtail wires	4	Sheathed Pigtail

