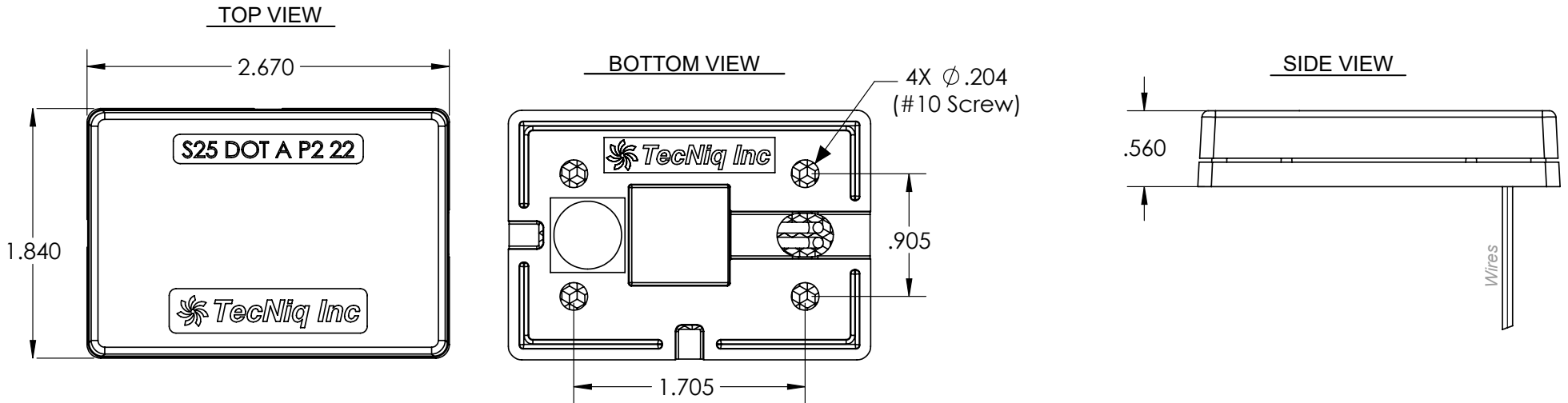
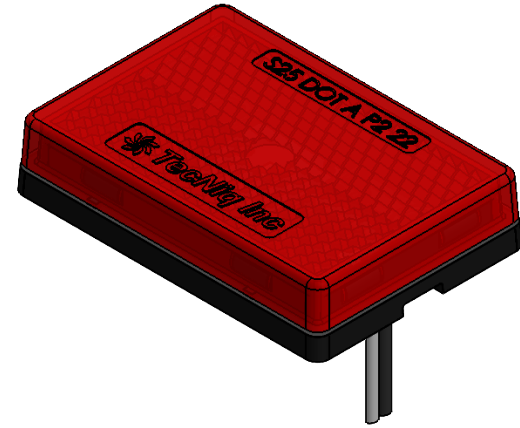


# S25 Retro Reflector Side Marker



## S25 Retro Reflector Side Marker

### SPECIFICATIONS:

**PRODUCTION MATERIALS:** Polycarbonate Lensing, Automotive Grade Polycarbonate Body, (1) LED

**WIRE COLORS:** Black Wire is positive (+12V), White wire is ground

**AMP:** 9-14V DC

**CURRENT:** 0.08A at 12V

**CONNECTOR(S) AVAILABLE:** 11" Pigtail & 11" Bullet

### RELEASE DATE:

9-12-2022

### HARDWARE

Not Included

### WIRE LENGTH

11" xxxx

UNLESS OTHERWISE SPECIFIED  
DIMENSIONS ARE IN INCHES  
TOLERANCES ARE:

DECIMALS	ANGLES
.X $\pm 0.020$	X° $\pm 1.0^\circ$
.XX $\pm 0.010$	X.X° $\pm 0.5^\circ$
.XXX $\pm 0.003$	X.XX° $\pm 0.1^\circ$