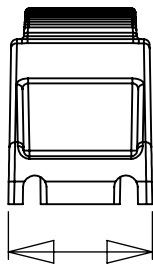
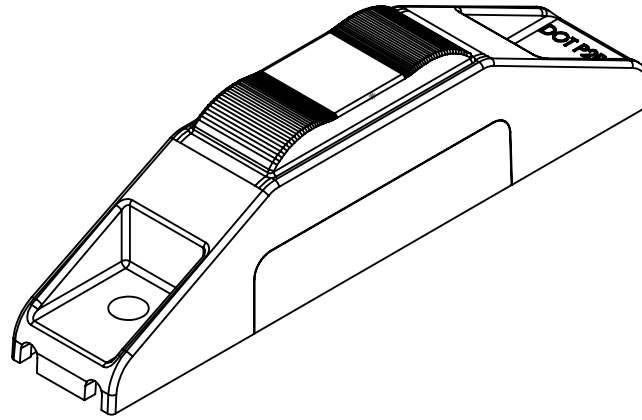


3.000

$\varnothing 0.212$



0.750



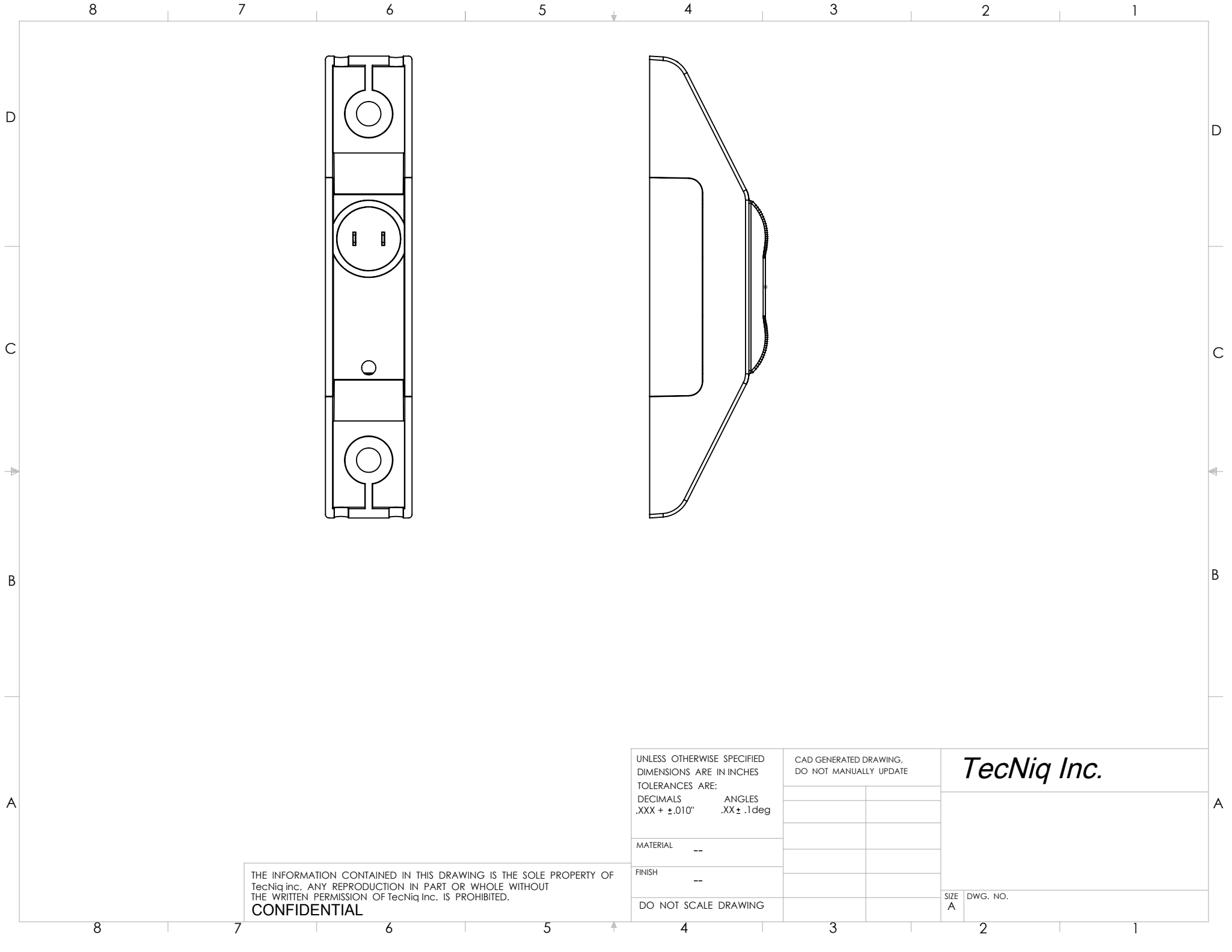
1.017

4.000

*TecNiq Inc.*

S36-XXXX-1  
P2 PC SIDEMARKER

SIZE A DWG. NO.



THE INFORMATION CONTAINED IN THIS DRAWING IS THE SOLE PROPERTY OF TecNiq inc. ANY REPRODUCTION IN PART OR WHOLE WITHOUT THE WRITTEN PERMISSION OF TecNiq Inc. IS PROHIBITED.  
**CONFIDENTIAL**

UNLESS OTHERWISE SPECIFIED  
 DIMENSIONS ARE IN INCHES  
 TOLERANCES ARE:  
 DECIMALS      ANGLES  
 .XXX +  $\pm$ .010"    .XX  $\pm$  .1deg

CAD GENERATED DRAWING,  
 DO NOT MANUALLY UPDATE

***TecNiq Inc.***

MATERIAL      --

FINISH      --

DO NOT SCALE DRAWING

SIZE A      DWG. NO.