

SCALE 1:1  
PLASTIC WIRE CHANNEL VERSION

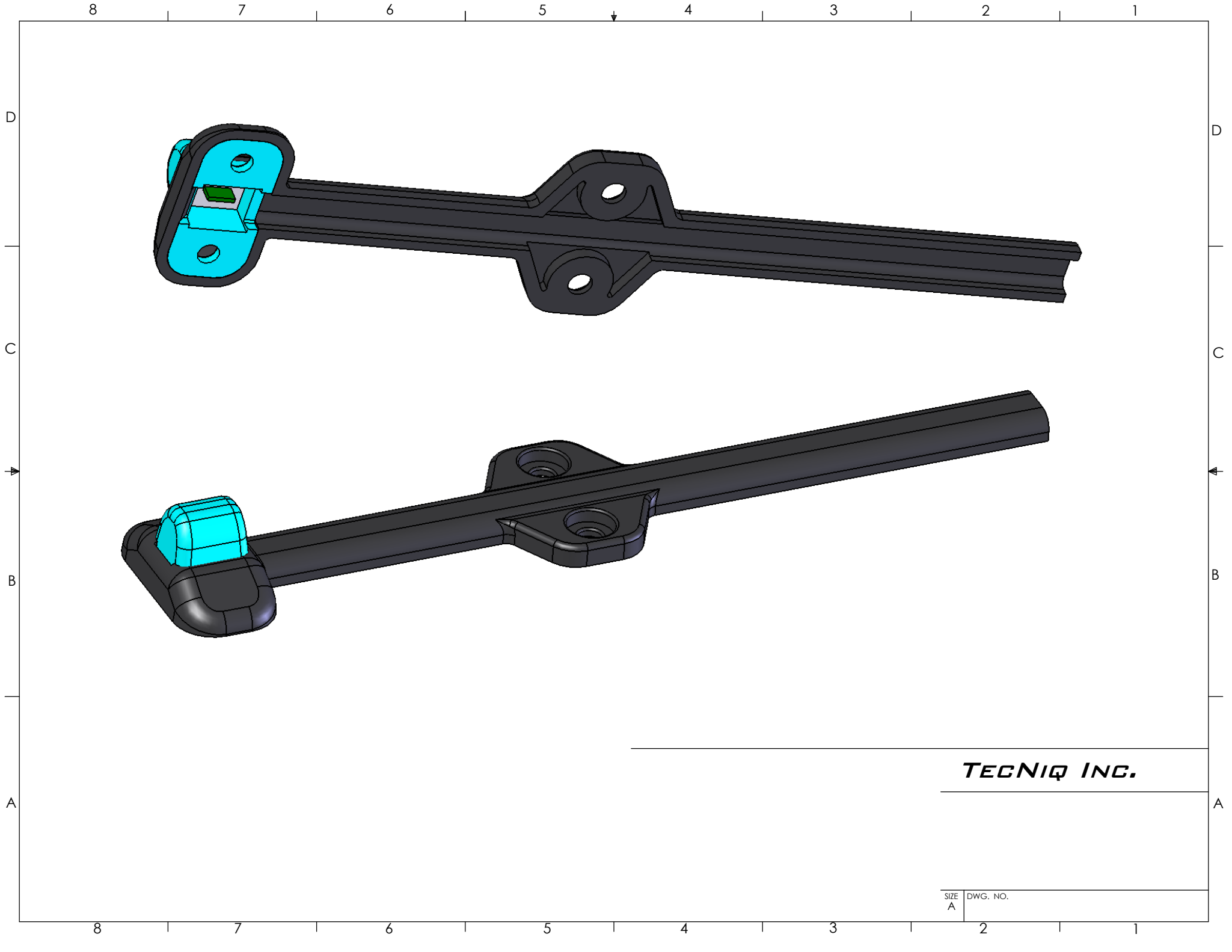
DETAIL A

#10 CAP SCREWS

SECTION C-C  
SCALE 2:1

**TECNIQ INC.**

SIZE A DWG. NO.



8 7 6 5 4 3 2 1

D

D

C

C

B

B

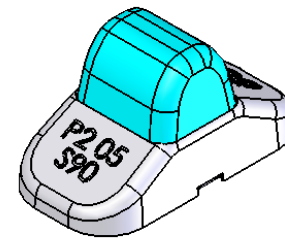
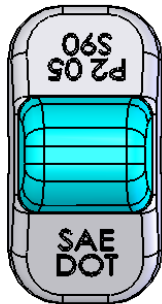
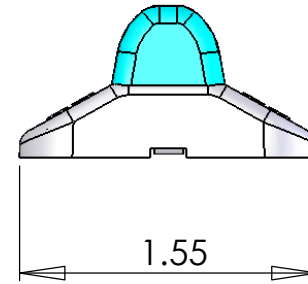
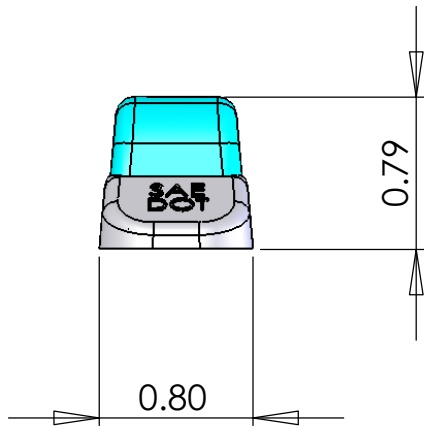
A

A

8 7 6 5 4 3 2 1

**TECNIQ INC.**

SIZE A	DWG. NO.
-----------	----------



SCALE 1:1  
SNAP ON STAINLESS STEEL COVER OPTION

**TECNIQ INC.**

DWG. NO.

