
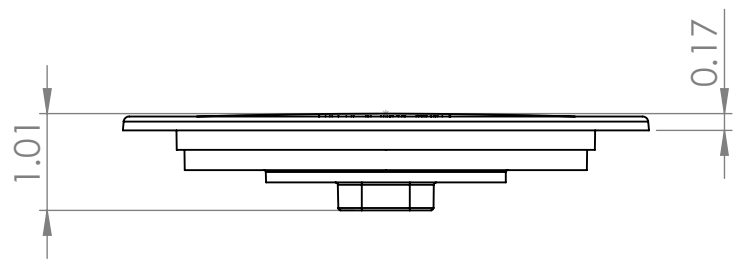
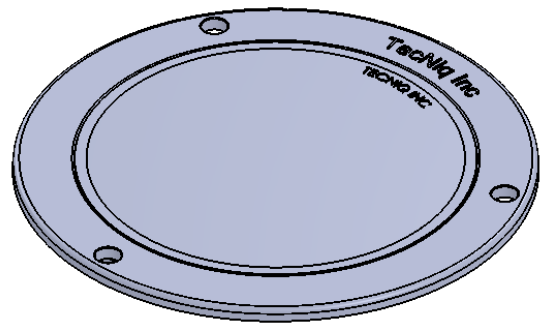
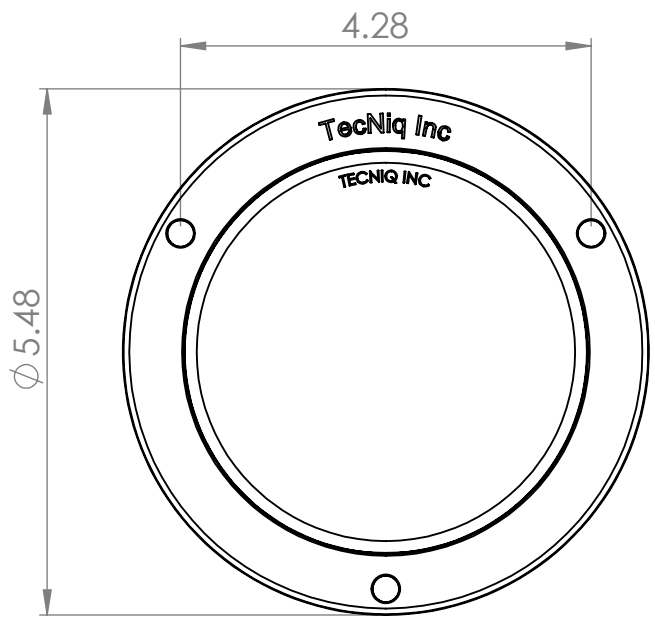



CURRENT DRAW - .24A
12.8VDC

		MATERIAL SPECIFICATION	QTY REQD
			
		T44 GROMMET MOUNT SPEC SHEET	
		CAD FILE:	REV. A
		SHEET 1	OF 1



CURRENT DRAW - .24A
12.8VDC

MATERIAL SPECIFICATION		QTY REQD
		
T44 WITH FLANGE MOUNT SPEC SHEET		
CAD FILE:		REV. A
SHEET 1 OF 1		