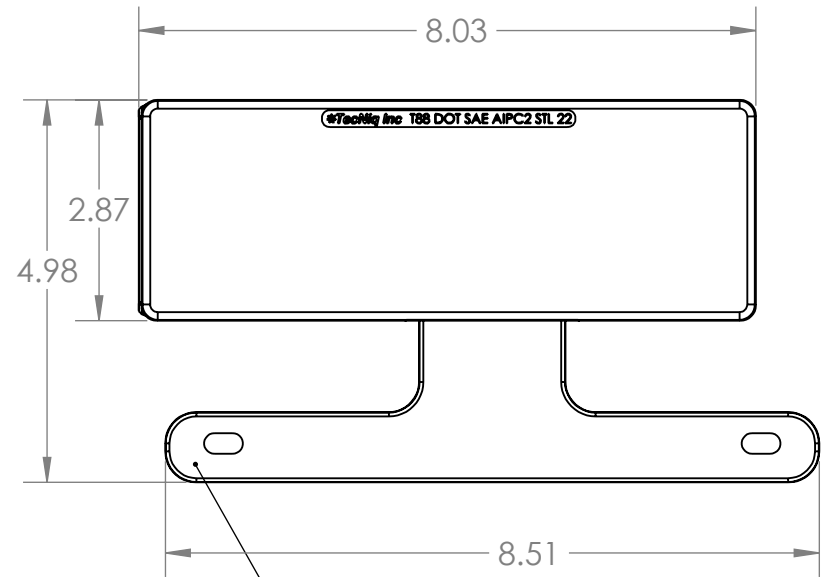
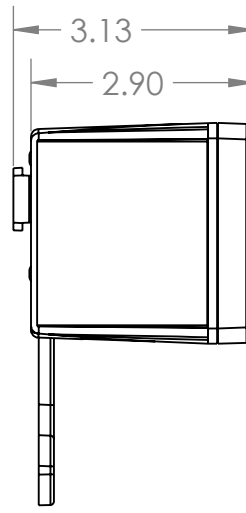
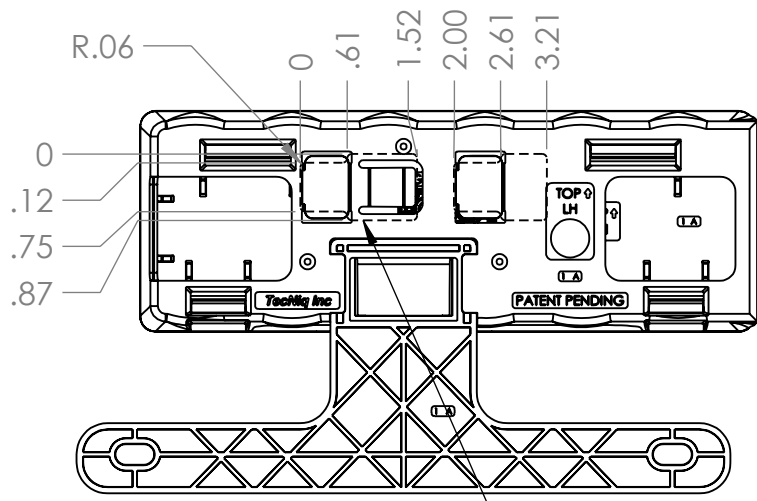


 **TecNiq**_{inc}
Changing the Shape of Light™

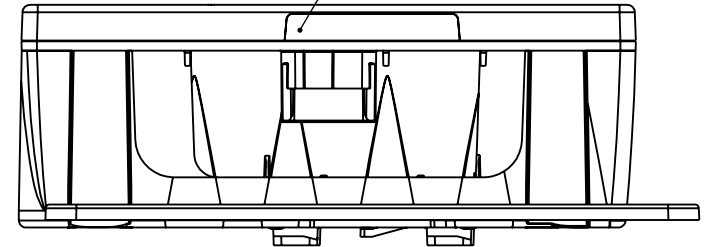
T88-RRLT-1 AND T88-RRRT-1



FASTENERLESS MOUNT
PANEL CUTOUTS
FOR 12GA THICKNESS

FASTENERLESS MOUNT
LICENSE PLATE BRACKET;
CAN BE MOUNTED AFTER
MOUNTING LIGHT

LICENSE LAMP

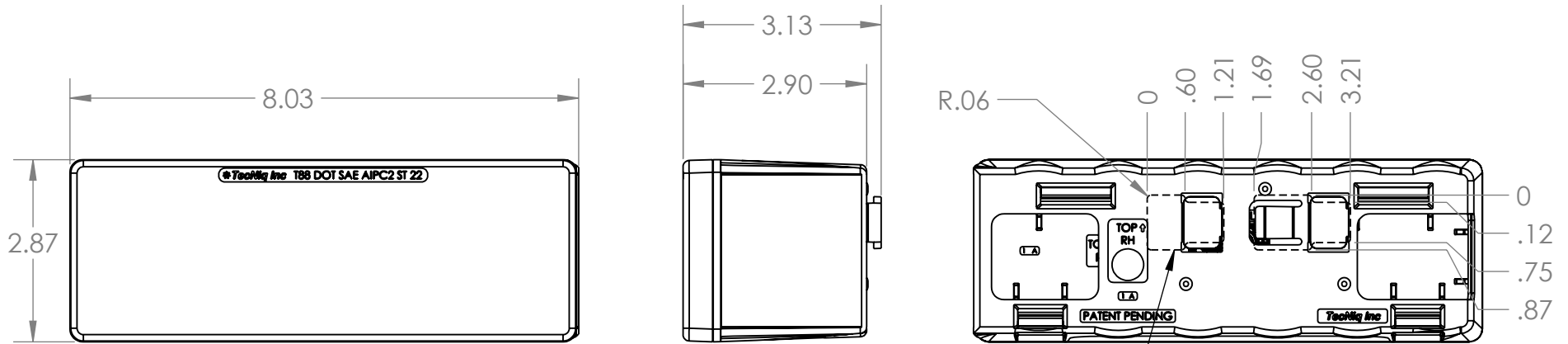


FUNCTION	STOP/TURN/TAIL/LICENSE/ PC SIDE MARKER/REFLECTOR
WEIGHT [OZ]	10
VOLTAGE [V]	12.8
CURRENT @ 12.8V [mA]	100 (STOP/TURN) 155 (TAIL)
WIRE LENGTH [IN]	-
WIRE GAUGE [AWG]	-
WIRE TERMINATION	PL-3 RIGHT ANGLE
NOTES:	

TecNiq^{inc}

Changing the Shape of Light™

T88-RRLT-1



FASTENERLESS MOUNT
 PANEL CUTOUTS
 FOR 12GA THICKNESS

FUNCTION	STOP/TURN/TAIL/LICENSE/ PC SIDE MARKER/REFLECTOR
WEIGHT [OZ]	9
VOLTAGE [V]	12.8
CURRENT @ 12.8V [mA]	100 (STOP/TURN) 55 (TAIL)
WIRE LENGTH [IN]	-
WIRE GAUGE [AWG]	-
WIRE TERMINATION	PL-3 RIGHT ANGLE
NOTES:	

TecNiq_{inc}
Changing the Shape of Light™

T88-RRRT-1