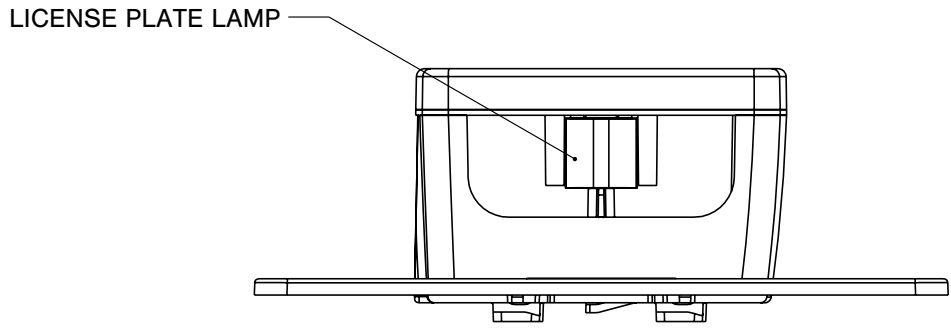
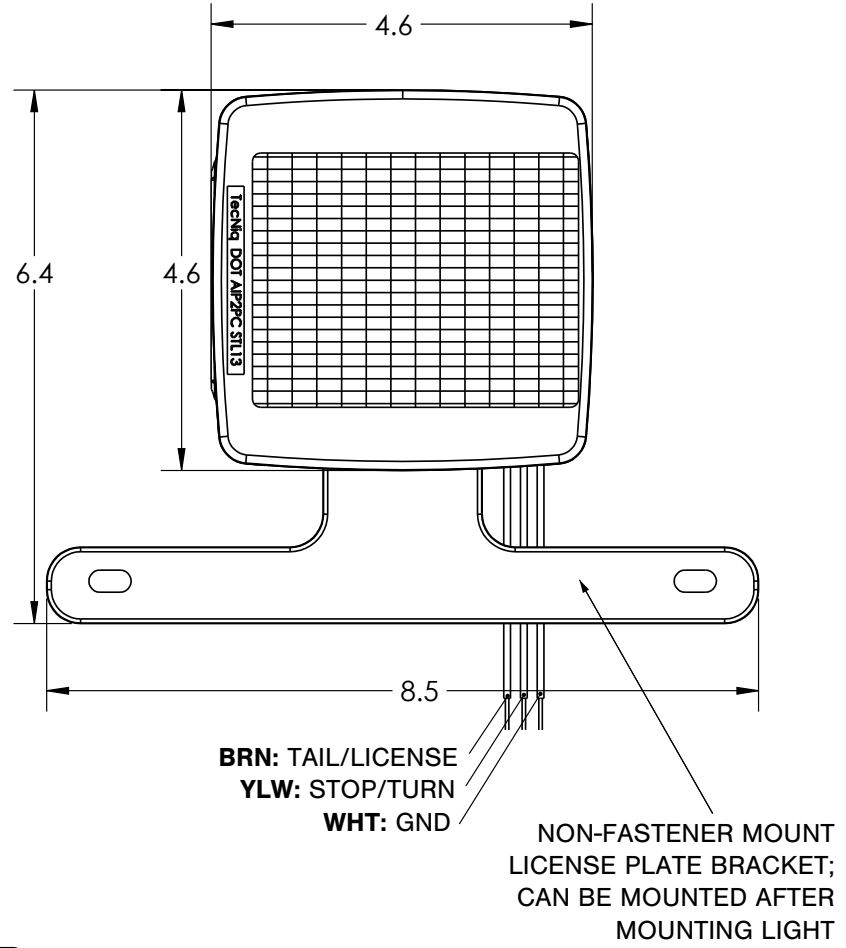
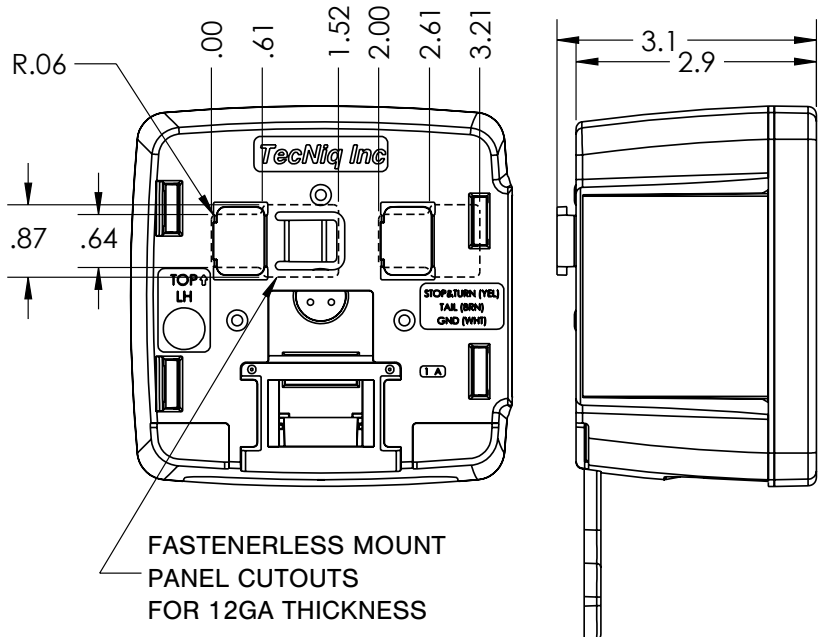


 **TecNiq**<sup>inc</sup>  
*Changing the Shape of Light™*

---

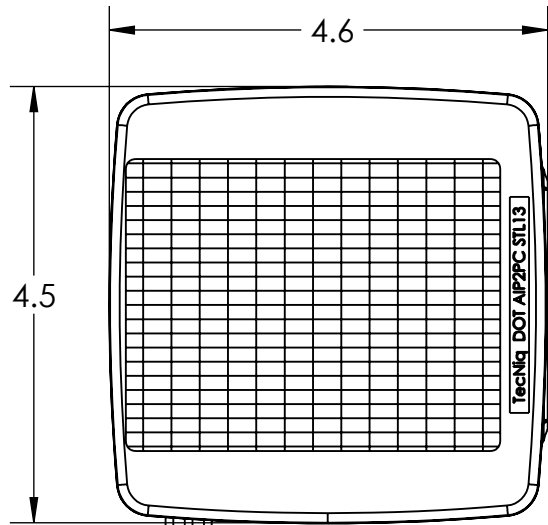
**T89-RRLX-1 AND T89-RRRX-1**



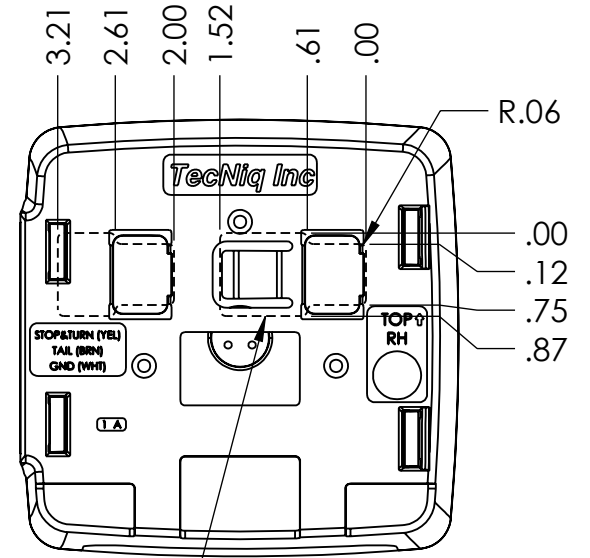
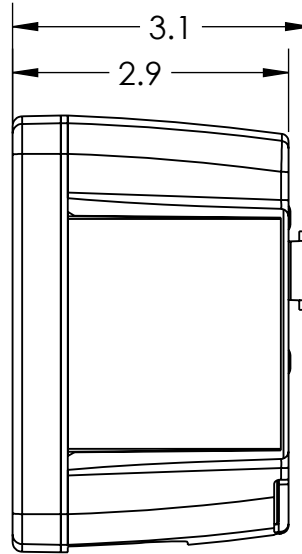
<b>FUNCTION</b>	STOP/TURN/TAIL/LICENSE/ PC SIDE MARKER/REFLECTOR
<b>WEIGHT [OZ]</b>	8
<b>VOLTAGE [V]</b>	12.8
<b>CURRENT @ 12.8V [mA]</b>	120 (STOP/TURN) 165 (TAIL)
<b>WIRE LENGTH [IN]</b>	16
<b>WIRE GAUGE [AWG]</b>	18
<b>WIRE TERMINATION</b>	PIGTAIL; 1/4" GND RING; 0.156 BULLETS
<b>NOTES:</b>	

**TecNiq**<sup>inc</sup>  
*Changing the Shape of Light™*

**T89-RRLX-1**



WHT: GND  
 GRN: STOP/TURN  
 BRN: TAIL



FASTENERLESS MOUNT  
 PANEL CUTOUTS  
 FOR 12GA THICKNESS

<b>FUNCTION</b>	STOP/TURN/TAIL/LICENSE/ PC SIDE MARKER/REFLECTOR
<b>WEIGHT [OZ]</b>	7
<b>VOLTAGE [V]</b>	12.8
<b>CURRENT @ 12.8V [mA]</b>	120 (STOP/TURN) 70 (TAIL)
<b>WIRE LENGTH [IN]</b>	16
<b>WIRE GAUGE [AWG]</b>	18
<b>WIRE TERMINATION</b>	PIGTAIL; 1/4" GND RING; 0.156 BULLETS
<b>NOTES:</b>	

**TecNiq**<sup>inc</sup>  
 Changing the Shape of Light™

**T89-RRRX-1**