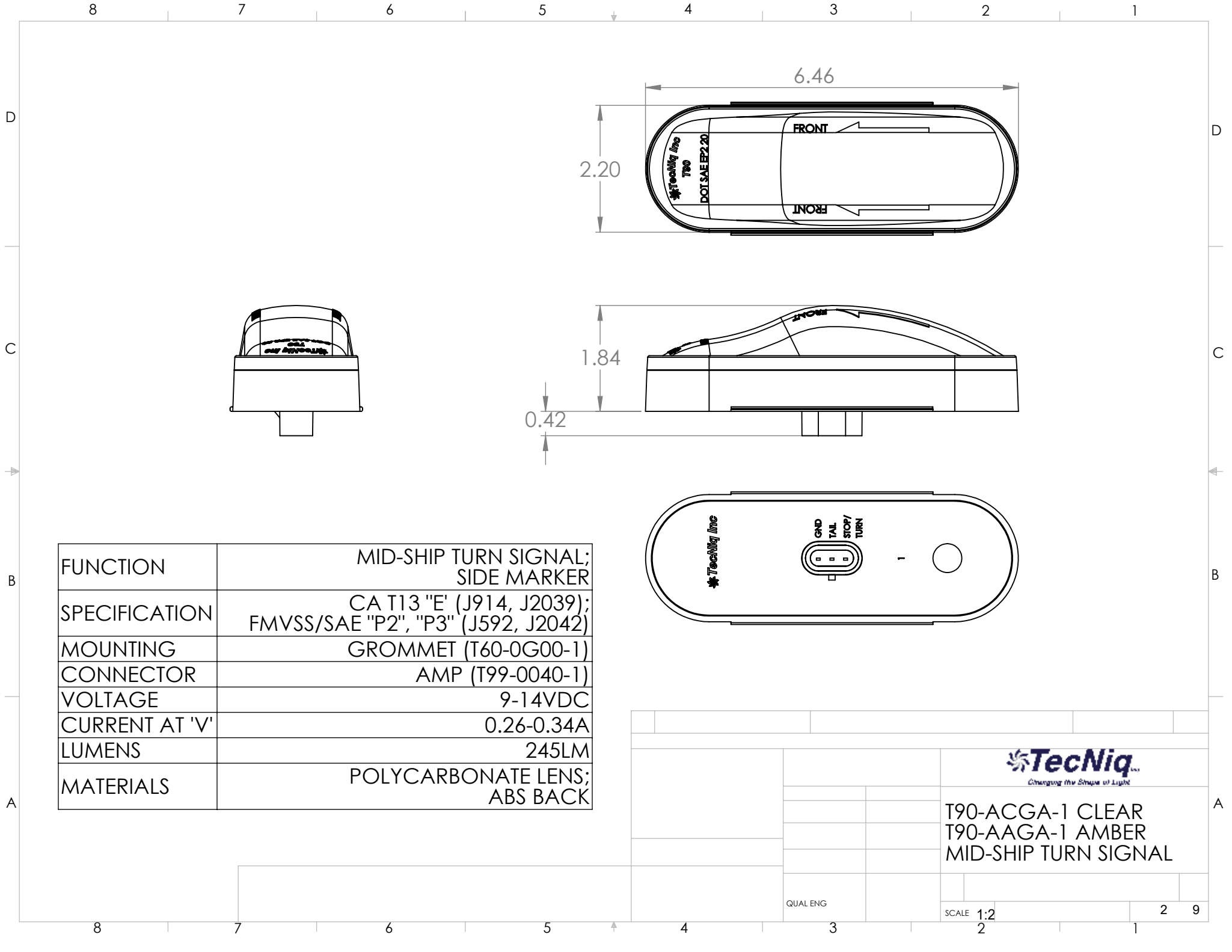


FUNCTION	MID-SHIP TURN SIGNAL; SIDE MARKER
SPECIFICATION	CA T13 "E" (J914, J2039); FMVSS/SAE "P2", "P3" (J592, J2042)
MOUNTING	GROMMET (T60-0G00-1)
CONNECTOR	PL-3 (T99-0020-1)
VOLTAGE	9-14VDC
CURRENT AT 'V'	0.26-0.34A
LUMENS	245LM
MATERIALS	POLYCARBONATE LENS; ABS BACK

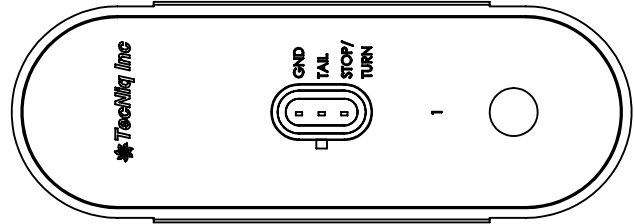
  
 Changing the Shape of Light

T90-ACGT-1 CLEAR  
 T90-AAGT-1 AMBER  
 MID-SHIP TURN SIGNAL

1:2

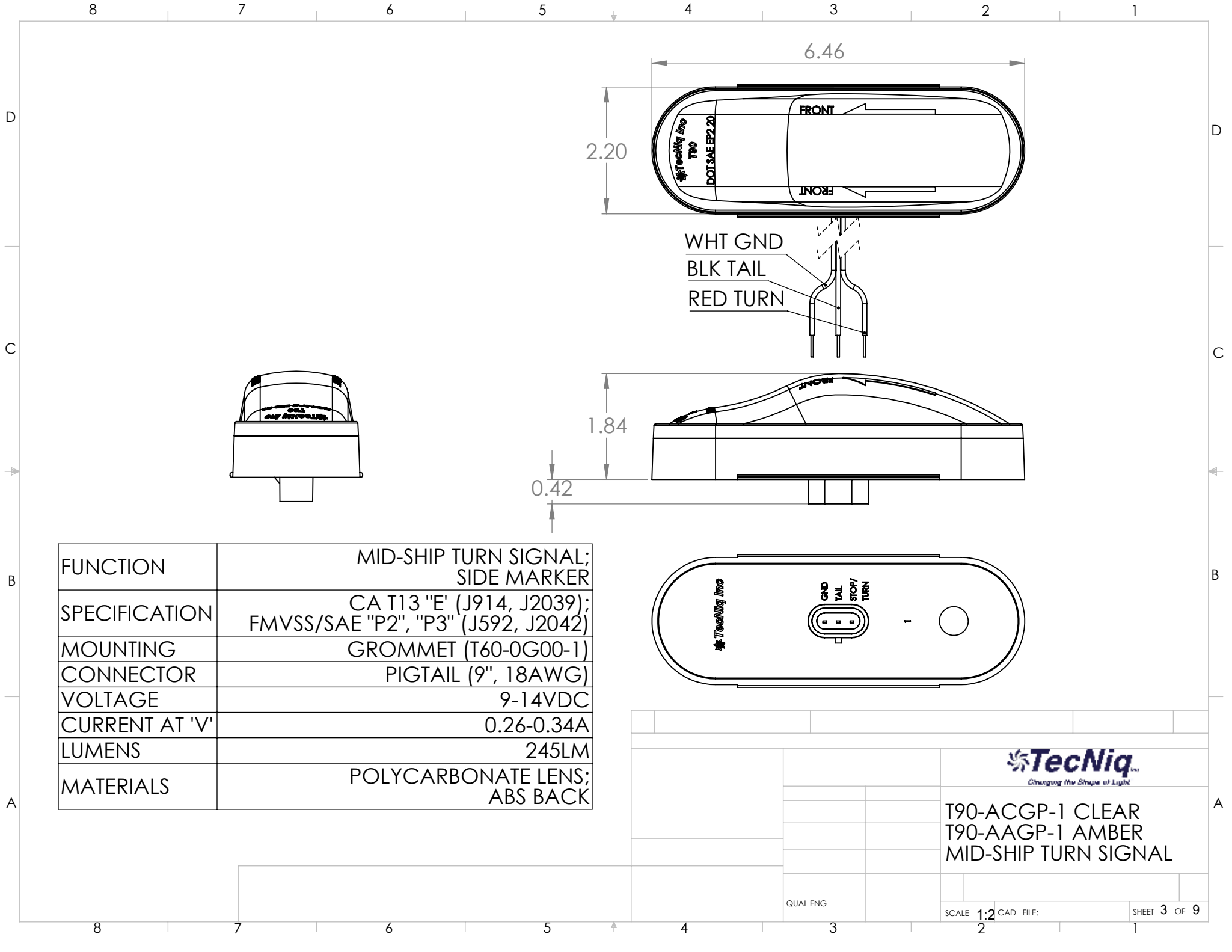


FUNCTION	MID-SHIP TURN SIGNAL; SIDE MARKER
SPECIFICATION	CA T13 "E" (J914, J2039); FMVSS/SAE "P2", "P3" (J592, J2042)
MOUNTING	GROMMET (T60-0G00-1)
CONNECTOR	AMP (T99-0040-1)
VOLTAGE	9-14VDC
CURRENT AT 'V'	0.26-0.34A
LUMENS	245LM
MATERIALS	POLYCARBONATE LENS; ABS BACK

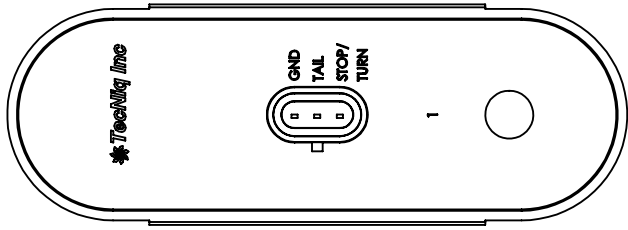


**TecNiq**  
Changing the Shape of Light

T90-ACGA-1 CLEAR  
T90-AAGA-1 AMBER  
MID-SHIP TURN SIGNAL

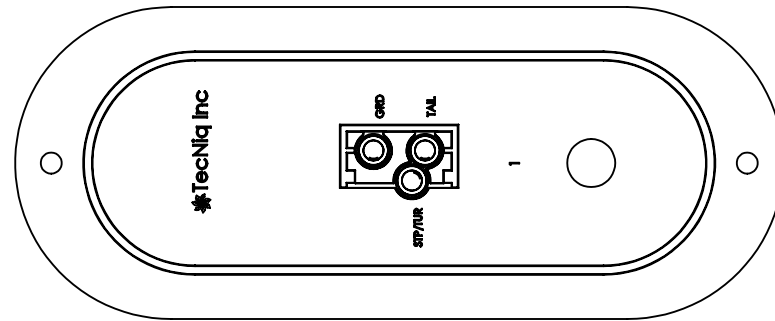
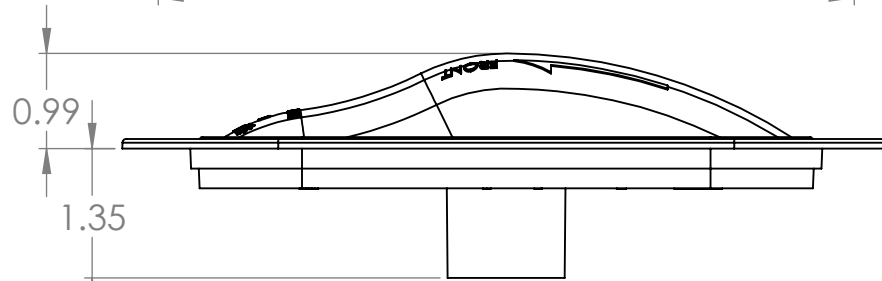
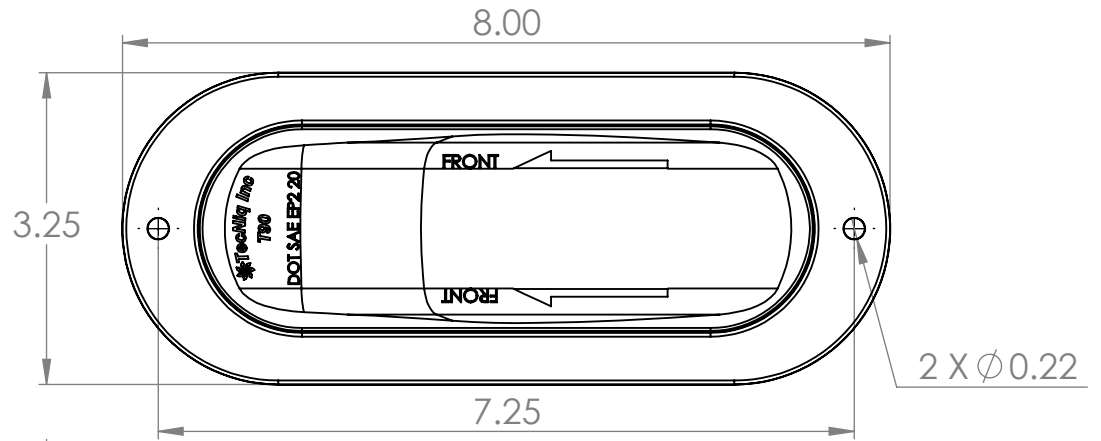
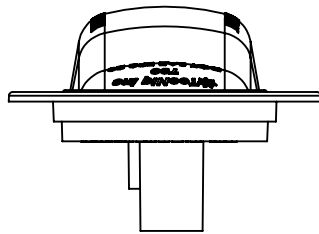


FUNCTION	MID-SHIP TURN SIGNAL; SIDE MARKER
SPECIFICATION	CA T13 "E" (J914, J2039); FMVSS/SAE "P2", "P3" (J592, J2042)
MOUNTING	GROMMET (T60-0G00-1)
CONNECTOR	PIGTAIL (9", 18AWG)
VOLTAGE	9-14VDC
CURRENT AT 'V'	0.26-0.34A
LUMENS	245LM
MATERIALS	POLYCARBONATE LENS; ABS BACK



**TecNiq**  
Changing the Shape of Light

T90-ACGP-1 CLEAR  
T90-AAGP-1 AMBER  
MID-SHIP TURN SIGNAL

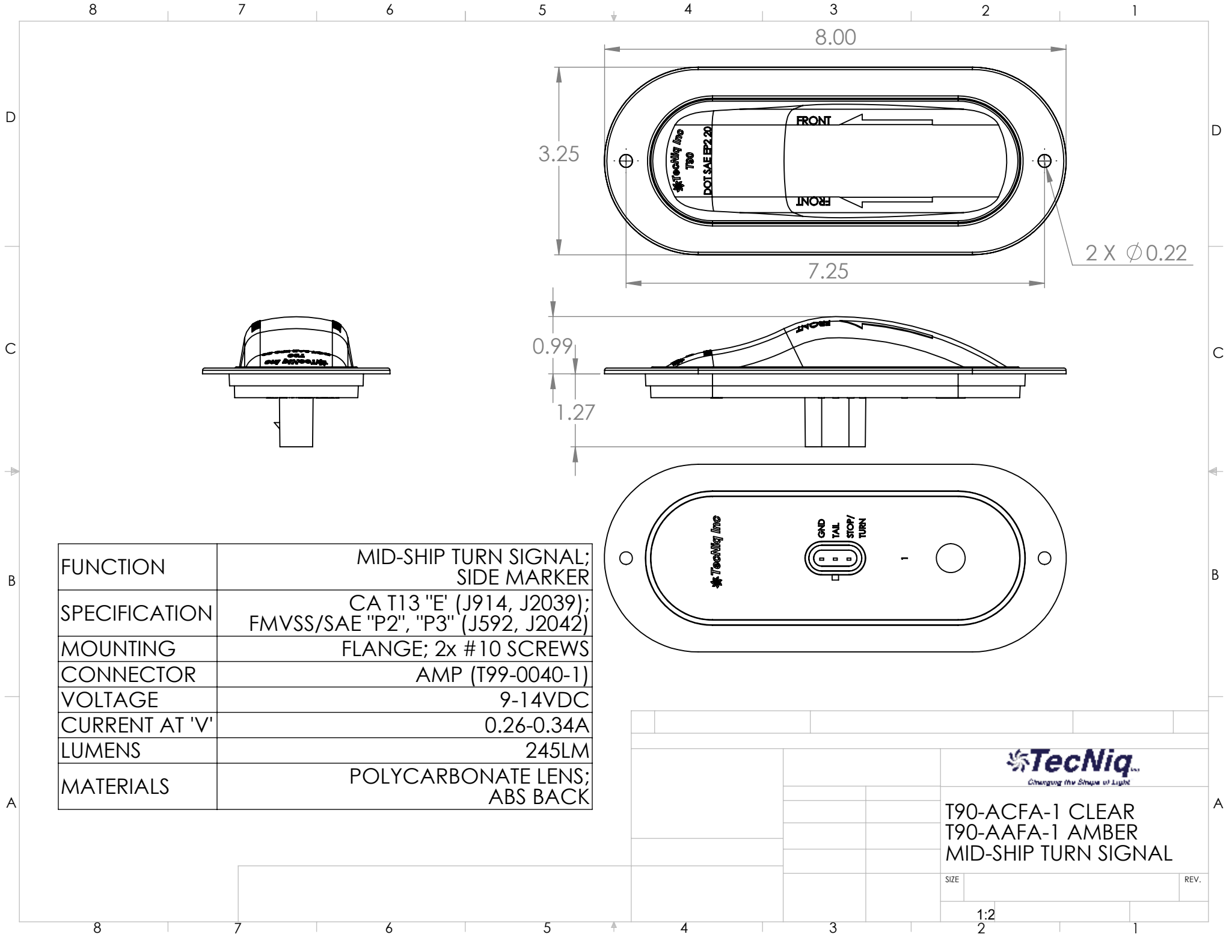


FUNCTION	MID-SHIP TURN SIGNAL; SIDE MARKER
SPECIFICATION	CA T13 "E" (J914, J2039); FMVSS/SAE "P2", "P3" (J592, J2042)
MOUNTING	FLANGE; 2x #10 SCREWS
CONNECTOR	PL-3 (T99-0020-1)
VOLTAGE	9-14VDC
CURRENT AT 'V'	0.26-0.34A
LUMENS	245LM
MATERIALS	POLYCARBONATE LENS; ABS BACK




T90-ACFT-1 CLEAR  
T90-AAFT-1 AMBER  
MID-SHIP TURN SIGNAL

SIZE A	DWG. NO.	REV. A
SCALE 1:2 CAD FILE:		SHEET 4 OF 9

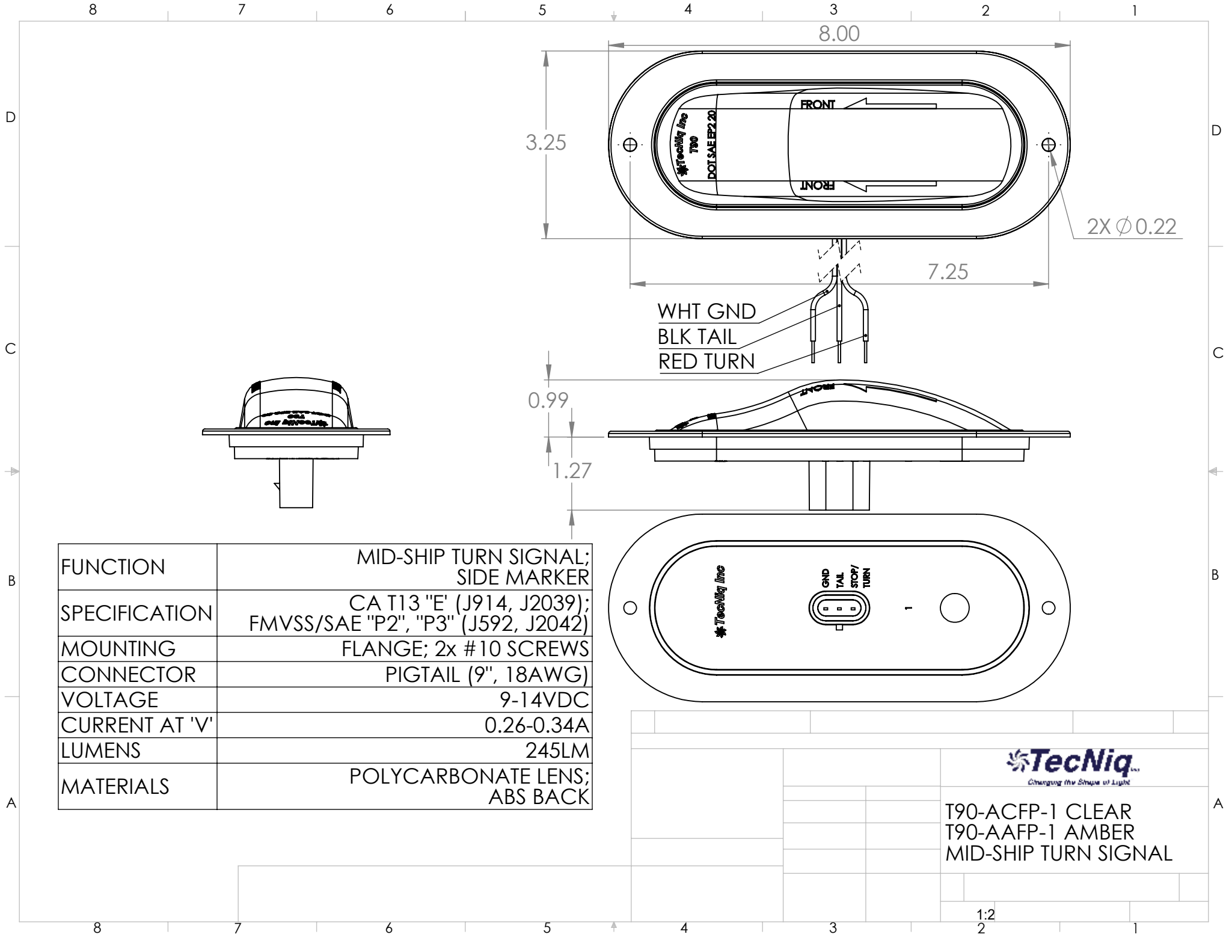


FUNCTION	MID-SHIP TURN SIGNAL; SIDE MARKER
SPECIFICATION	CA T13 "E" (J914, J2039); FMVSS/SAE "P2", "P3" (J592, J2042)
MOUNTING	FLANGE; 2x #10 SCREWS
CONNECTOR	AMP (T99-0040-1)
VOLTAGE	9-14VDC
CURRENT AT 'V'	0.26-0.34A
LUMENS	245LM
MATERIALS	POLYCARBONATE LENS; ABS BACK


  
 Changing the Shape of Light

**T90-ACFA-1 CLEAR**  
**T90-AAFA-1 AMBER**  
**MID-SHIP TURN SIGNAL**

SIZE	REV.
1:2	

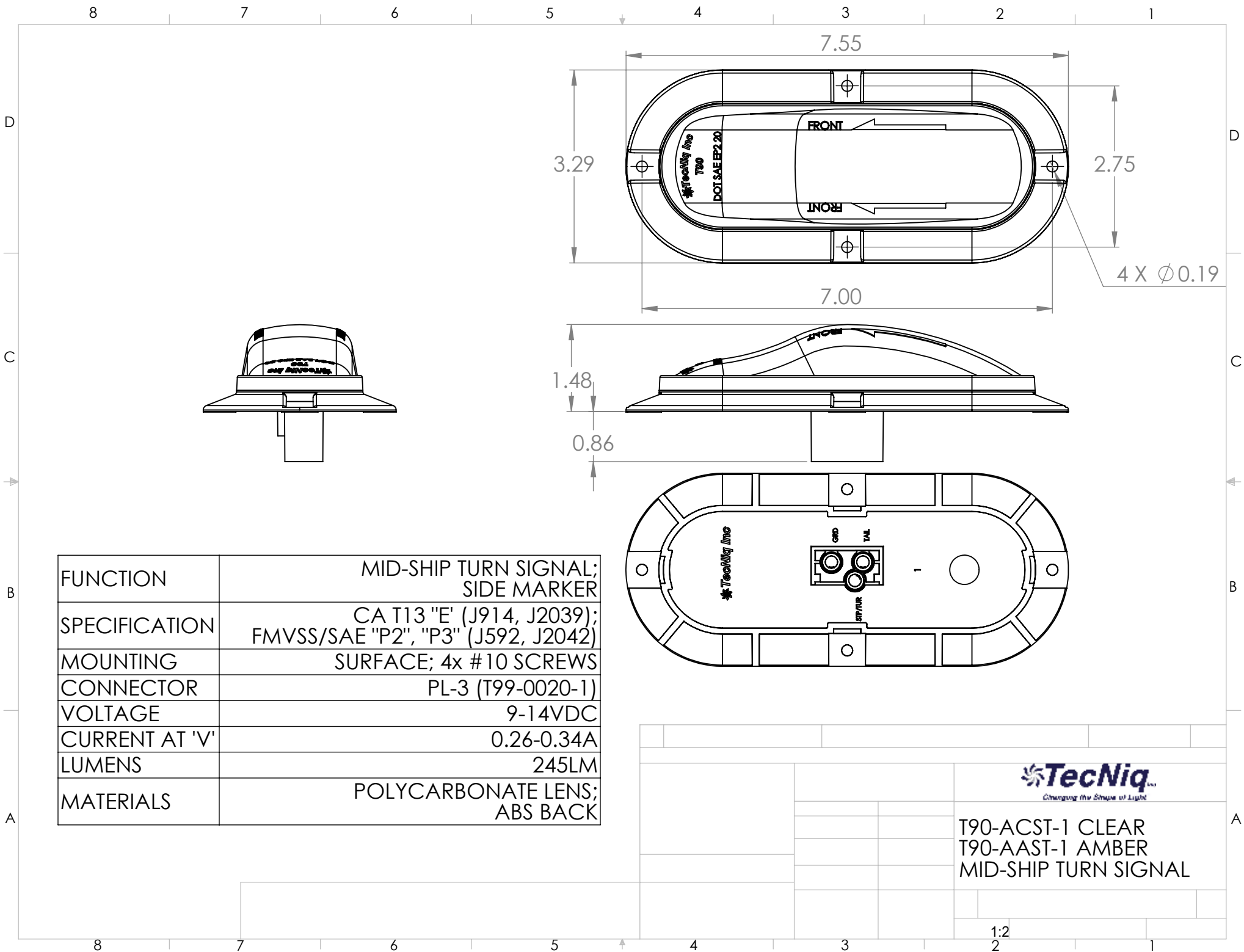


FUNCTION	MID-SHIP TURN SIGNAL; SIDE MARKER
SPECIFICATION	CA T13 "E" (J914, J2039); FMVSS/SAE "P2", "P3" (J592, J2042)
MOUNTING	FLANGE; 2x #10 SCREWS
CONNECTOR	PIGTAIL (9", 18AWG)
VOLTAGE	9-14VDC
CURRENT AT 'V'	0.26-0.34A
LUMENS	245LM
MATERIALS	POLYCARBONATE LENS; ABS BACK

  
 Changing the Shape of Light

T90-ACFP-1 CLEAR  
 T90-AAFP-1 AMBER  
 MID-SHIP TURN SIGNAL

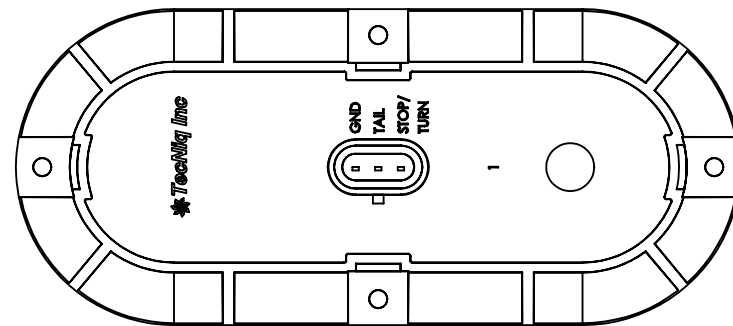
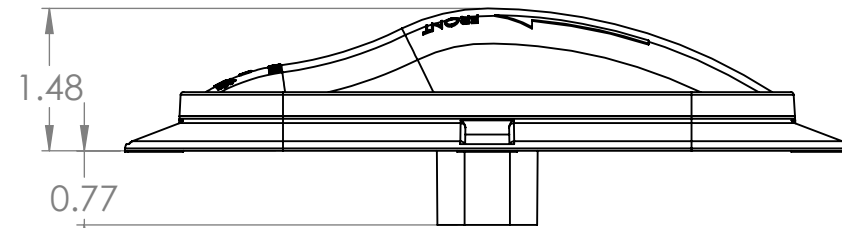
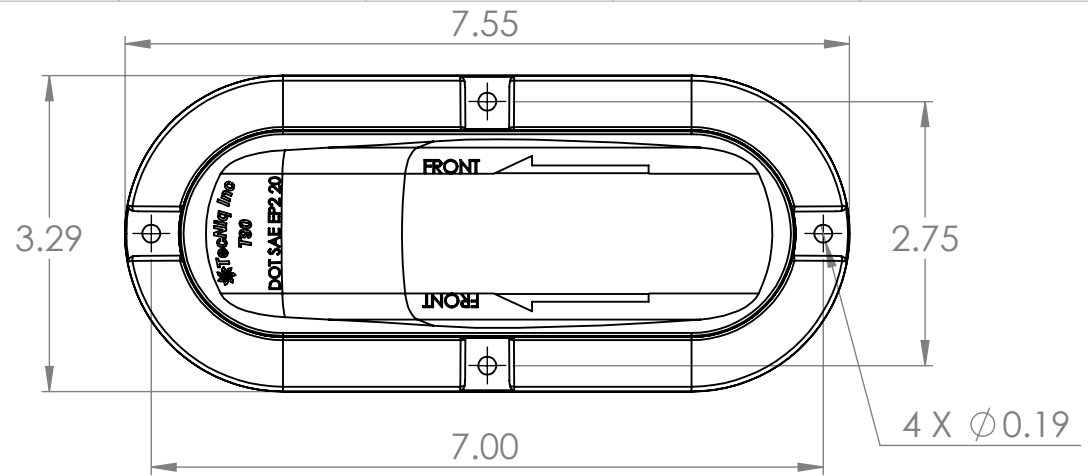
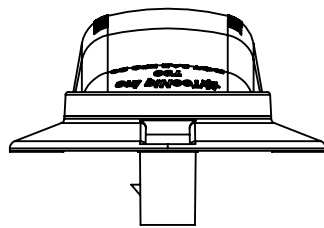
1:2



FUNCTION	MID-SHIP TURN SIGNAL; SIDE MARKER
SPECIFICATION	CA T13 "E" (J914, J2039); FMVSS/SAE "P2", "P3" (J592, J2042)
MOUNTING	SURFACE; 4x #10 SCREWS
CONNECTOR	PL-3 (T99-0020-1)
VOLTAGE	9-14VDC
CURRENT AT 'V'	0.26-0.34A
LUMENS	245LM
MATERIALS	POLYCARBONATE LENS; ABS BACK

  
*Changing the Shape of Light*  
**T90-ACST-1 CLEAR**  
**T90-AAST-1 AMBER**  
**MID-SHIP TURN SIGNAL**

1:2



FUNCTION	MID-SHIP TURN SIGNAL; SIDE MARKER
SPECIFICATION	CA T13 "E" (J914, J2039); FMVSS/SAE "P2", "P3" (J592, J2042)
MOUNTING	SURFACE; 4x #10 SCREWS
CONNECTOR	AMP (T99-0040-1)
VOLTAGE	9-14VDC
CURRENT AT 'V'	0.26-0.34A
LUMENS	245LM
MATERIALS	POLYCARBONATE LENS; ABS BACK

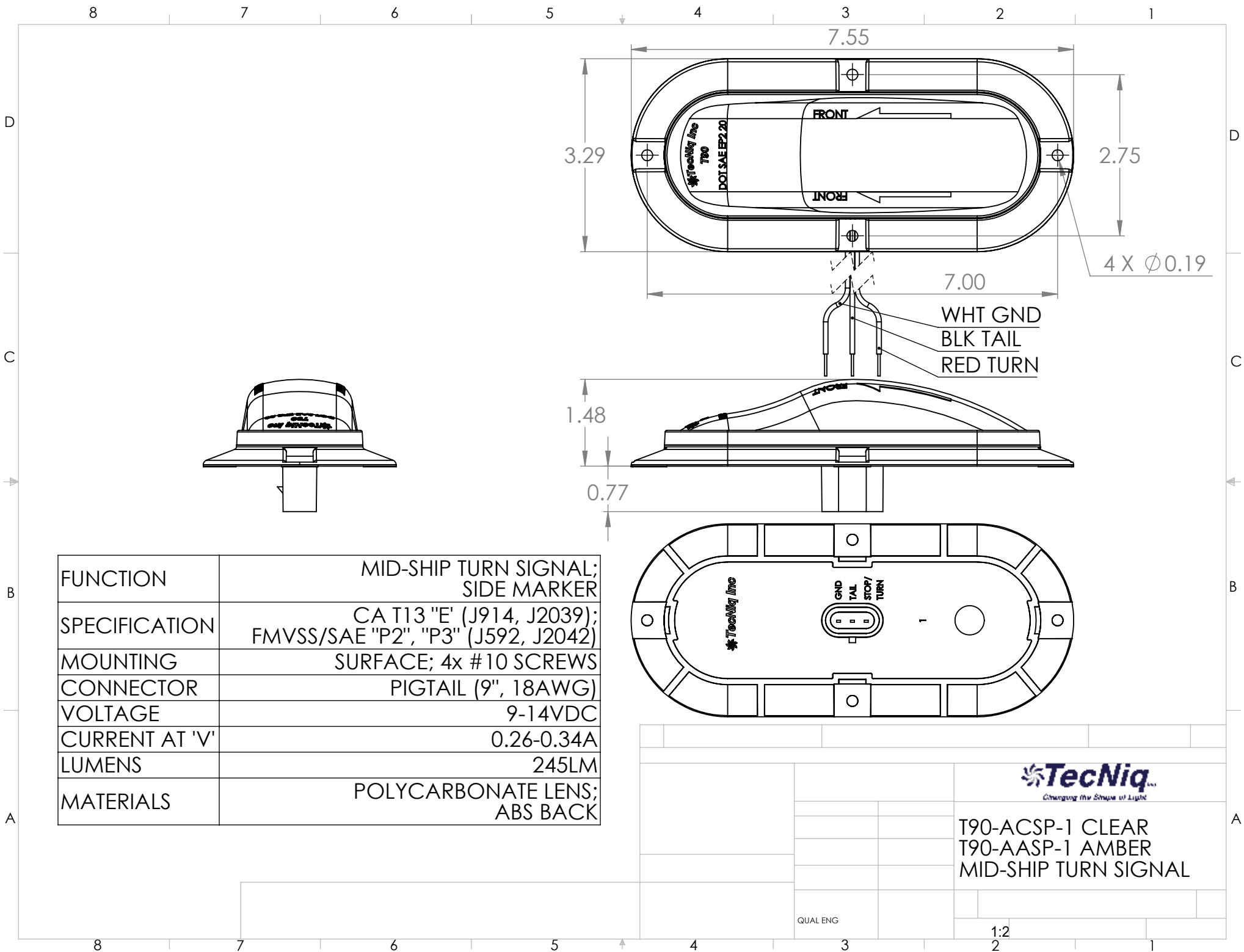


T90-ACSA-1 CLEAR  
T90-AASA-1 AMBER  
MID-SHIP TURN SIGNAL

DO NOT SCALE DRAWING

QUAL ENG





FUNCTION	MID-SHIP TURN SIGNAL; SIDE MARKER
SPECIFICATION	CA T13 "E" (J914, J2039); FMVSS/SAE "P2", "P3" (J592, J2042)
MOUNTING	SURFACE; 4x #10 SCREWS
CONNECTOR	PIGTAIL (9", 18AWG)
VOLTAGE	9-14VDC
CURRENT AT 'V'	0.26-0.34A
LUMENS	245LM
MATERIALS	POLYCARBONATE LENS; ABS BACK

**TecNiq**  
Changing the Shape of Light

T90-ACSP-1 CLEAR  
T90-AASP-1 AMBER  
MID-SHIP TURN SIGNAL

QUAL ENG

1:2